

EBARA GEAR PUMPS

MODEL GP

APPLICATIONS

Supplying oil for machinery
 Fuel transfer
 Low pressure transmission
 Oil burner injection

FEATURES

Compact style and light weight
 Adopting high speed and direct drive type, relieving traditional image of gear pumps
 Large capacity with small power output
 Long life and high reliability
 Durability increased by adopting needle bearings and maintenance made easy by using internal bearings, requiring no oil supply
 Quick delivery and low price
 Adjustable relief valve

SPECIFICATIONS

Model	MODEL GPE	MODEL GPF	MODEL GPH
Suction & Discharge size	12 to 25 mm ($\frac{3}{8}$ to 1 inch)	12 to 40 mm ($\frac{3}{8}$ to $1\frac{1}{2}$ inches)	15 to 50 mm ($\frac{1}{2}$ to 2 inches)
Discharge pressure	3 kgf/cm ² (43 PSI) {290 kPa}	3 to 10 kgf/cm ² (43 to 142 PSI) {290 to 980 kPa}	10 to 20 kgf/cm ² (142 to 284 PSI) {980 to 1960 kPa}
Allowable suction pressure	-0.3 to +1.0 kgf/cm ² (-4.3 to +14.2 PSI) {-29 to +98 kPa}	-0.5 to +1.0 kgf/cm ² (-7.1 to +14.2 PSI) {-49 to +98 kPa}	-0.5 to +1.0 kgf/cm ² (-7.1 to +14.2 PSI) {-49 to +98 kPa}
Temperature limit	70°C(158°F)	80°C(176°F)	120°C(248°F)
Viscosity range for motor with standard output & speed	7 to 500 cSt {7 to 500 mm ² /s}	5 to 500 cSt {5 to 500 mm ² /s}	5 to 260 cSt {5 to 260 mm ² /s}



EBARA CORPORATION

PERFORMANCE TABLE

Model GPE (Discharge pressure 3 kgf/cm² | 290 kPa |)

Size	Pipe connecting	Motor kW	50 Hz			60 Hz			Bearing size	Gland		Weight [Mass] kg	
			Max. Discharge pressure kgf/cm ² kPa	Capacity l/min	Speed min ⁻¹	Max. Discharge pressure kgf/cm ² kPa	Capacity l/min	Speed min ⁻¹		Kind	Shaft size	Bare pump	Pump w/motor & base
12	PT-3/8	0.2	3 290	7	1500	3 290	6	1800	8φ	Packing	8φ	2	18.4
15	PT-1/2	0.4	3 290	10	1500	3 290	12	1800	12φ	"	11φ	2.1	19.2
20	PT-3/4	0.4	3 290	20	1500	3 290	24	1800	12φ	"	11φ	2.4	21.4
25	PT-1	0.75	3 290	40	1500	3 290	48	1800	15φ	"	14φ	4	35.1

Model GPF (Discharge pressure 3 ~ 10 kgf/cm² | 290 ~ 980 kPa |)

12	PT-3/8	0.2	4 390	8.5	1500	4 390	10	1800	12φ With inside ring	Mechanical seal	12φ	3.1	20.1	
		0.4	10 980	8.5	1500	10 980	10	1800					23.1	
15	PT-1/2	0.4	4 390	17	1500	4 390	21	1800	12φ With inside ring	"	12φ	3.4	22.4	
		0.75	10 980	17	1500	10 980	21	1800					33.4	
20	PT-3/4	0.75	4 390	31	1500	4 390	37	1800	20φ With inside ring	"	20φ	6.0	37.3	
		1.5	10 980	31	1500	10 980	37	1800					43.3	
25	PT-1	1.5	6 590	54	1500	6 590	65	1800	20φ With inside ring	"	20φ	6.3	44.3	
		2.2	10 980	54	1500	10 980	65	1800					61.5	
32	PT-1 1/4	2.2	4 390	75	1500	4 390	90	1800	22φ With inside ring	"	22φ	11	68	
		3.7	10 980	75	1500	10 980	90	1800					77.2	
40	PT-1 1/2	2.2	6 590	105	1500				22φ With inside ring	"	22φ	12	69	
		3.7	10 980	105	1500								79	
		3.7				4 390	125	1800						79
		5.5				10 980	125	1800						116

Model GPH (Discharge pressure 10 ~ 20 kgf/cm² | 980 ~ 1960 kPa |)

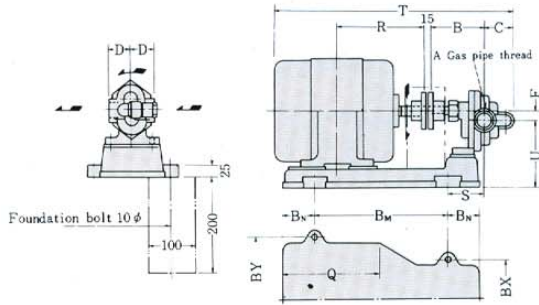
15	PS-1/2	0.75	15 1470	14	1500	12 1180	18	1800	15φ With inside ring	Mechanical seal	14φ	7	31
		1.5	20 1960	13	1500	20 1960	16	1800					38
20	PS-3/4	1.5	12 1180	36	1500	12 1180	43	1800	20φ With inside ring	"	14φ	8	39
		2.2	20 1960	34	1500	20 1960	41	1800					54
25	PS-1	3.7	15 1470	70	1500	15 1470	85	1800	25φ With inside ring	"	22φ	12	60
		5.5	20 1960	69	1500	20 1960	84	1800					86
32	32φ JIS 20 kgf/cm ² Flange	5.5	15 1470	110	1500	12 1180	136	1800	25φ With inside ring	"	22φ	20	97
		7.5	20 1960	110	1500	20 1960	134	1800					112
40	40φ JIS 20 kgf/cm ² Flange	5.5				12 1180	142	1200	35φ With inside ring	"	30φ	29	123
		7.5	15 1470	174	1500	20 1960	139	1200					121
50	50φ JIS 20 kgf/cm ² Flange	11.	20 1960	172	1500				40φ With inside ring	"	35φ	37	154
		11.	15 1470	184	1000	15 1470	224	1200					191
		1.5	20 1960	184	1000	20 1960	220	1200					241

REMARKS:

- Pipe connections are Pipe Taper Thread (JIS B0203) for Model GPE and GPF and Pipe Straight Thread (JIS B0203) for Model GPH.
- Flange connection of Model GPH is as per pipe flange dimension of JIS B2214.
- Base dimension is based on dimension of JEM 1180 Class E motor.
- Rotating direction shall be clockwise viewed from motor side. Suction opening shall be located at left side and delivery opening at right side. The opposite structure shall be obtained by simple re-assembly work.
- Model GPE adopts packing seal, while Model GPF and GPH adopts mechanical seal.
- Needle bearings are used. Please be noticed to nominate bearings with inside rings for Model GPF and GPH in case of parts order.
- Special parts for adjusting working pressure of relief valves for Model GPE and GPF are available upon special request. Working pressure of relief valve for Model GPH can be adjusted with adjusting nut built in the valve.

DIMENSIONS

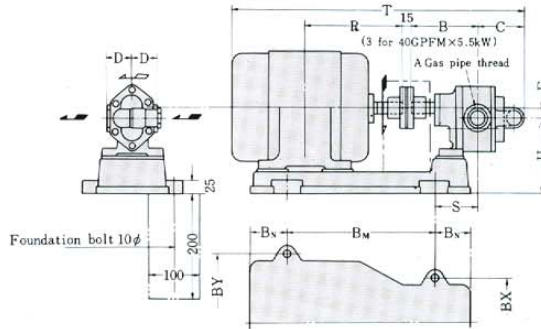
MODEL GPE



(DIMENSIONS IN mm)

Size	Model	kW	A	B	C	D	F	BM	BN	BY	BX	R	S	T	U
12	GP EM	0.2	PT- $\frac{3}{8}$	90	50	40	12.5	160	60	180	138	103	64	370	90.5
15	GP EM	0.4	PT- $\frac{1}{2}$	100	50	40	12	180	60	194	138	120	65	400	96
20	GP EM	0.4	PT- $\frac{3}{4}$	105	55	40	15	180	60	194	138	120	70	410	96
25	GP EM	0.75	PT-1	117	66	50	20	220	60	214	168	140	70	434	115

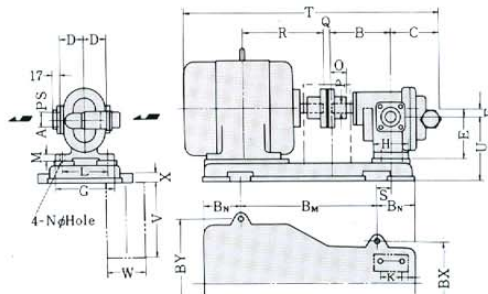
MODEL GPF



(DIMENSIONS IN mm)

Size	Model	kW	A	B	C	D	F	BM	BN	BY	BX	R	S	T	U
12	GPF M	0.2	PT- $\frac{3}{8}$	98	60	40	15	160	60	180	138	103	63	388	96
		180						60	194	138	120	63	408	96	
15	GPF M	0.4	PT- $\frac{1}{2}$	103	65	40	15	180	60	194	138	120	68	418	96
		210						60	214	138	140	68	420	110	
20	GPF M	0.75	PT- $\frac{3}{4}$	112	81	50	20	220	60	214	168	140	65	445	115
		260						60	232	168	168.5	65	492	115	
25	GPF M	1.5	PT-1	120	89	50	20	260	60	232	168	168.5	73	508	115
		270						70	264	168	183	83	537	125	
32	GPF M	2.2	PT-1 $\frac{1}{4}$	156	102	60	25	280	80	264	194	183	95	586	145
		300						80	290	194	200	95	610	145	
40	GPF M	2.2	PT-1 $\frac{1}{2}$	162	108	60	25	280	80	264	194	183	101	598	145
		300						80	290	194	200	101	622	145	
		310						90	320	194	239	111	665	162	

MODEL GPH



Screw type inlet & outlet for $\phi 25$ mm or less.
Flange type inlet & outlet for $\phi 32$ mm or more.

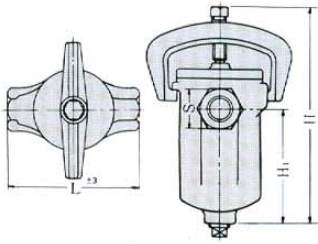
(DIMENSIONS IN mm)

Size	Model	kW	Speed min^{-1}		A	B	C	D	F	G	H	K	L	M	N	O	P	Q	BM	BN	BY	BX	R	S	T	U
			50Hz	60Hz																						
15	GPH M	0.75	1 500	1 800	PS- $\frac{1}{2}$	110	90	45	15	120	70	35	90	14	12	35.5	14	15	260	70	214	175	140	30	480	125
		290																	80	232	175	168.5	30	498	125	
20	GPH M	1.5	1 500	1 800	PS- $\frac{3}{4}$	130	90	50	15	120	70	35	90	14	12	40	14	15	290	80	232	175	168.5	40	518	125
		310																	80	264	175	183	40	548	135	
25	GPH M	3.7	1 500	1 800	PS-1	160	120	55	20	140	80	50	110	16	12	50	22	15	330	100	290	195	200	45	630	145
		370																	100	320	195	239	45	674	162	
32	GPH M	5.5	1 500	1 800	32	175	128	95	20	170	120	90	130	16	12	50	22	3	400	120	320	225	239	45	697	162
		400																	120	320	225	258	45	736	162	
40	GPH M	7.5	1 500	1 800	40	160	143	110	25	200	120	90	150	16	15	63	28	3	380	150	320	255	258	75	766	195
		380																	150	320	255	258	75	766	195	
50	GPH M	11	1 000	1 200	50	220	160	120	30	200	120	90	150	16	15	63	35	3	510	150	380	260	323	75	862	205
		510																	150	380	260	323	75	862	205	
		15	1 000	1 200	50	220	160	120	30	200	120	90	150	16	15	63	35	3	510	150	380	260	345	75	951	200
		560																	150	430	260	370.5	75	1,011	220	

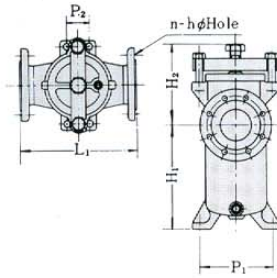
ACCESSORIES

■ SUCTION STRAINER

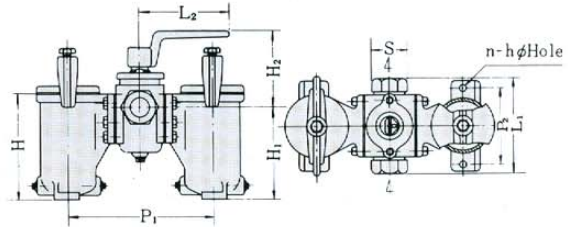
DIMENSIONS OF SUCTION STRAINER



Model STU Single strainer
(Size 15 - ϕ 40mm)



Model STU Single strainer
(Size ϕ 50mm or more, Flange JIS 10kgf/cm² FF)



Model STW duplex strainer
(Size 15 - ϕ 40mm)

Model	Connection size	H	H ₁	H ₂	L ₁	L ₂	P ₁	P ₂	S	nh	Weight Mass/kg
STU 15	1/2 B	167	84	120					35		2.5
STU 20	3/4 B	239	135	170					41		3.6
STU 25	1 B	239	135	150					50		3.6
STU 32	1 1/4 B	330	200	235					63		10
STU 40	1 1/2 B	330	200	210					71		10
STU 50	2 B	195	142	250			150	50		4.19	21
STW 15	1/2 B	107	92	83	120	120	125	90	35	4.11	6.4
STW 20	3/4 B	165	145	115	150	150	215	120	50	2.11	14.5
STW 25	1 B	165	145	115	150	150	215	120	50	2.11	14.5
STW 32	1 1/4 B	226	195	121	175	180	250	120	67	2.15	20.5
STW 40	1 1/2 B	257	220	126	210	200	265	130	71	2.15	30.5

Remarks:

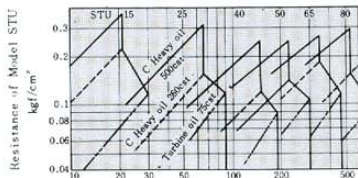
Mesh: 60

Effective filtration area: Size 15 - ϕ 40mm
more than 8 times of strainer size
Size ϕ 50mm or larger
more than 5 times of strainer size

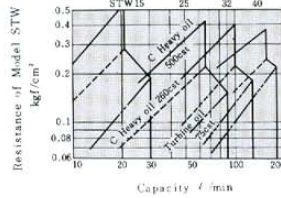
Hydro test press of case: 6 kgf/cm² (8.5PSI) | 590kPa

Max. allowable normal press: 3 kgf/cm² (4.3PSI) | 290kPa

STRAINER-CAPACITY VISCOSITY-RESISTANCE CURVE



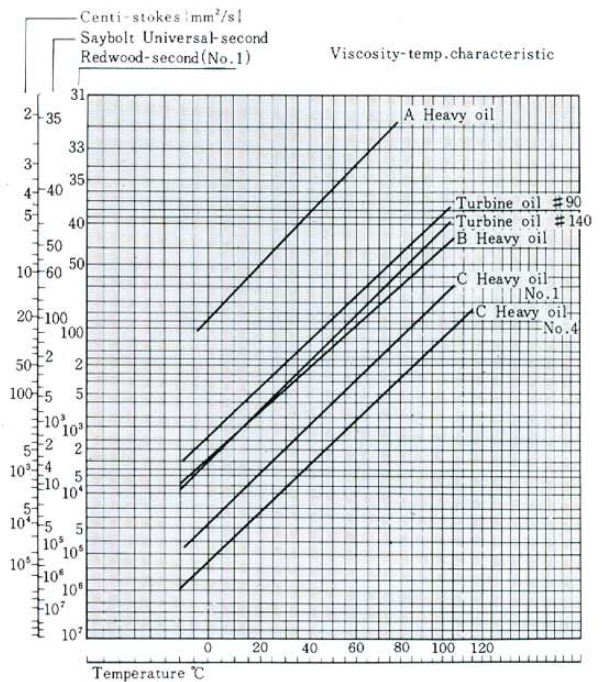
※ 1kgf/cm² = 98.0665kPa



Remarks:

1. Make 20% allowance for the above values, as these values may vary in accordance with oil qualities.
2. Suitable strainer resistance value shall be taken at less than 0.3kgf/cm².
3. Add strainer friction loss to suction lift.

VISCOSITY CHART OF OILS



*Features and specifications subject to change without notice.

In this catalog, the particulars in { } are in accordance with the international system of units (SI) and given for reference only.



EBARA CORPORATION

Head Office
International Division
OVERSEAS OFFICES
London Office
New Delhi Office
Jakarta Office
Beijing Office

11-1, Haneda Asahi-cho, Ota-ku, Tokyo, 144 Japan
Asahi Bldg., 6-7, Ginza 6-chome, Chuo-ku, Tokyo, 104 Japan
6th Floor, Regal House London Road Twickenham Middlesex, TW1 3QS England
c/o Technocolab, 706/707, Divika Tower, 6, Nehru Place New Delhi-110 019 India
c/o P.T. Palmas Entraco JL. Gunung Sahari Raya 57G, Jakarta Indonesia
Room602, Yanjing Hotel, 19, Fu Xing Men Wai, Street, Beijing City, People's Republic of China

Phone: Tokyo 743-6111
Phone: Tokyo 572-5611

Phone: 01-892-8971-5
Phone 641-1220
Phone: 21-410540
Phone: Yanjing Hotel 86-8721 Room #602

© EBARA CORP 1987, Printed in Japan

A2846 HH-E(AA)B