



Submersible Dry-Pit Sewage Pump

Type DSCA4

APPLICATIONS

- Sewage
- Waste Water
- Storm water drainage

OPTIONS AVAILABLE

- Free standing type
- Q.D.C. type

FEATURES

- **Heavy-duty, air-filled Class H and Class F insulated motor**
 - operates cooler with higher efficiency;
enhances durability of operation.
- **Watertight cable entry system**
 - protects against moisture and capillary action;
reduces maintenance cost.
- **Float type leakage detector**
 - provides early warning of mechanical seal failure;
avoid costly motor repairs.
- **Self-cooling jacket**
 - high reliability, effectively dissipates heat;
long operating life is expected
- **Cartridge type, duplex mechanical seal**
 - assembled in tandem arrangement;
easy maintenance and high reliability.
- **High efficiency closed type impellers**
 - ability to pass larger solids with high
outputs to prevent clogging; lowers operating cost.
 - ensure lower thrust load for longer bearing life.



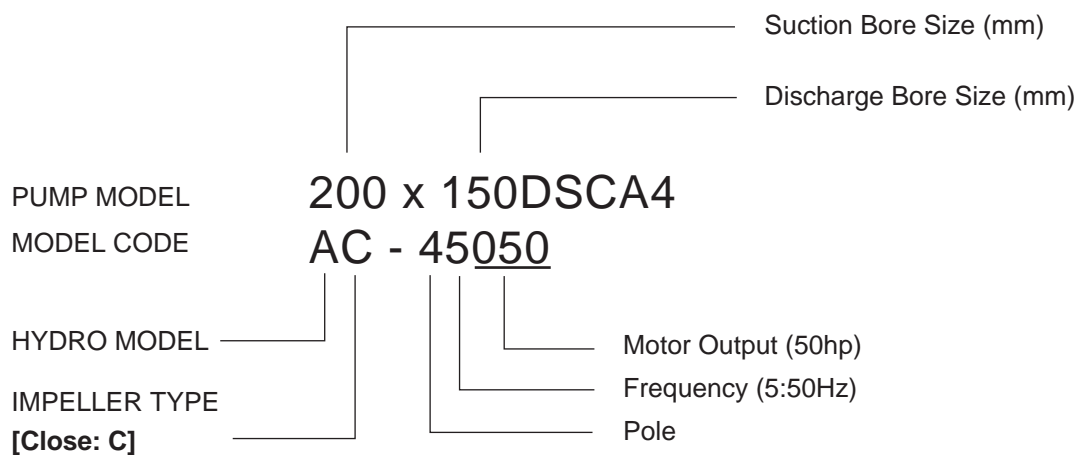
SPECIFICATIONS

STANDARD SPECIFICATIONS			OPTION
Design	Capacity	2.3 to 43 m ³ /min	
	Total head	3.1 to 54m	
	Liquid temp.	0 to 40 °C	
Construction	Impeller	Close, non-clog	
	Shaft seal	Cartridge type duplex mechanical seals in tandem arrangement	
		Upper: Carbon/Ceramic Lower: Silicon Carbide/Silicon Carbide	
	Bearing	Grease lubricated ball bearing	
	Driver	Air filled watertight electric motor with cooling jacket	
Starting method: D.O.L. / Star Delta (37-110kW), D.O.L. / Reduce Voltage (132-185kW)			
Accessories	10m watertight rubber insulated flexible cable	Temp. detector or Thrust bearing	
	Built-in winding temp. detectors for each phase		
	Built-in float type leakage detector		
Codes & Standards	JIS, JEC*		

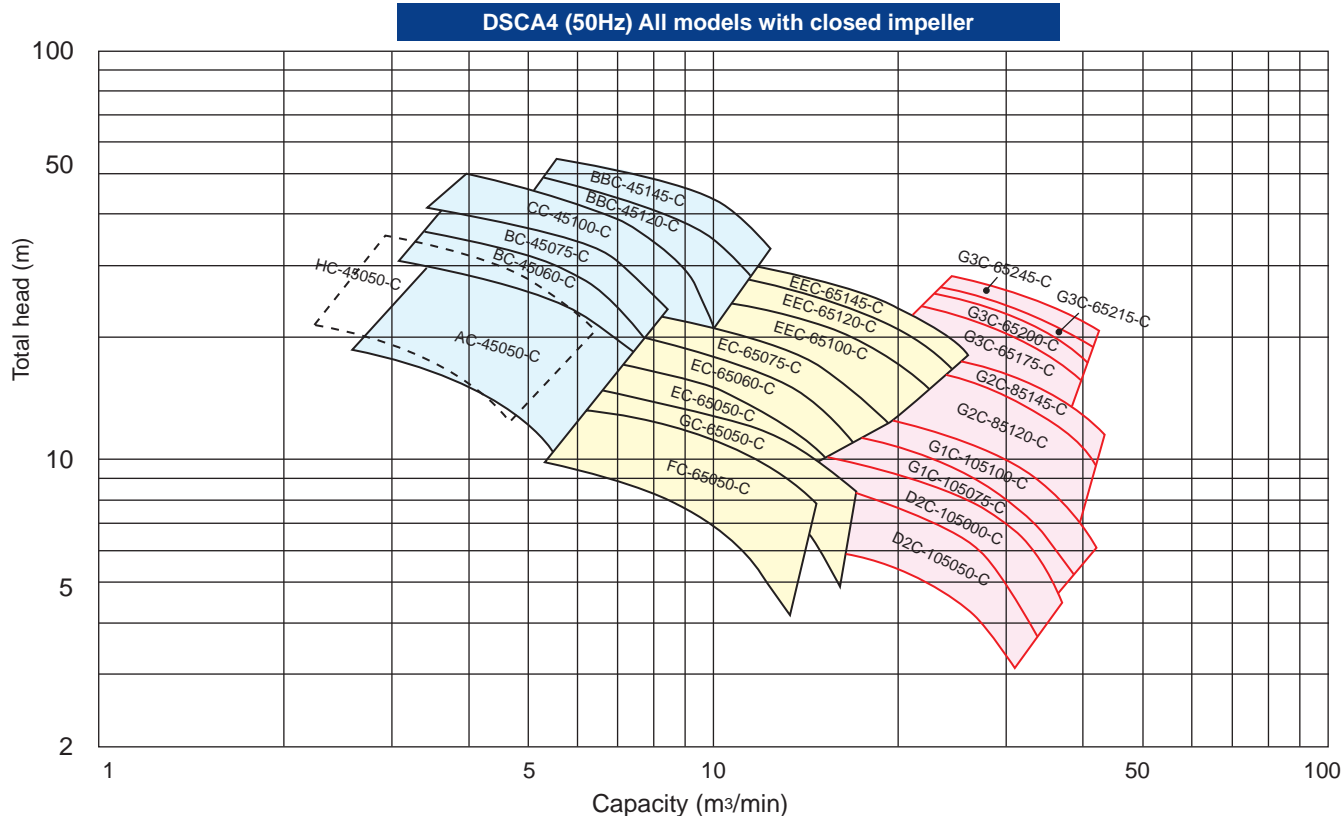
* JIS : Japanese Industrial Standard JEC : Japanese Electro Technical Committee

MATERIALS OF CONSTRUCTION

PARTS	MATERIAL
Pump casing	Cast iron, JIS FC250, equiv. to ASTM A48 CL35
Impeller	Cast iron, JIS FC250, equiv. to ASTM A48 CL35
Shaft	Stainless Steel, 1Cr12, equiv. to AISI 403Q
Casing ring	Stainless Steel, JIS SUS420, equiv. to AISI 420
Motor frame	Cast iron, JIS FC250, equiv. to ASTM A48 CL35
Cooling jacket	Rolled steel, JIS SS400, equiv. to ASTM A283 Gr.D
Mechanical seal	Upper : Carbon/Ceramic, Lower : Silicon Carbide/Silicon Carbide



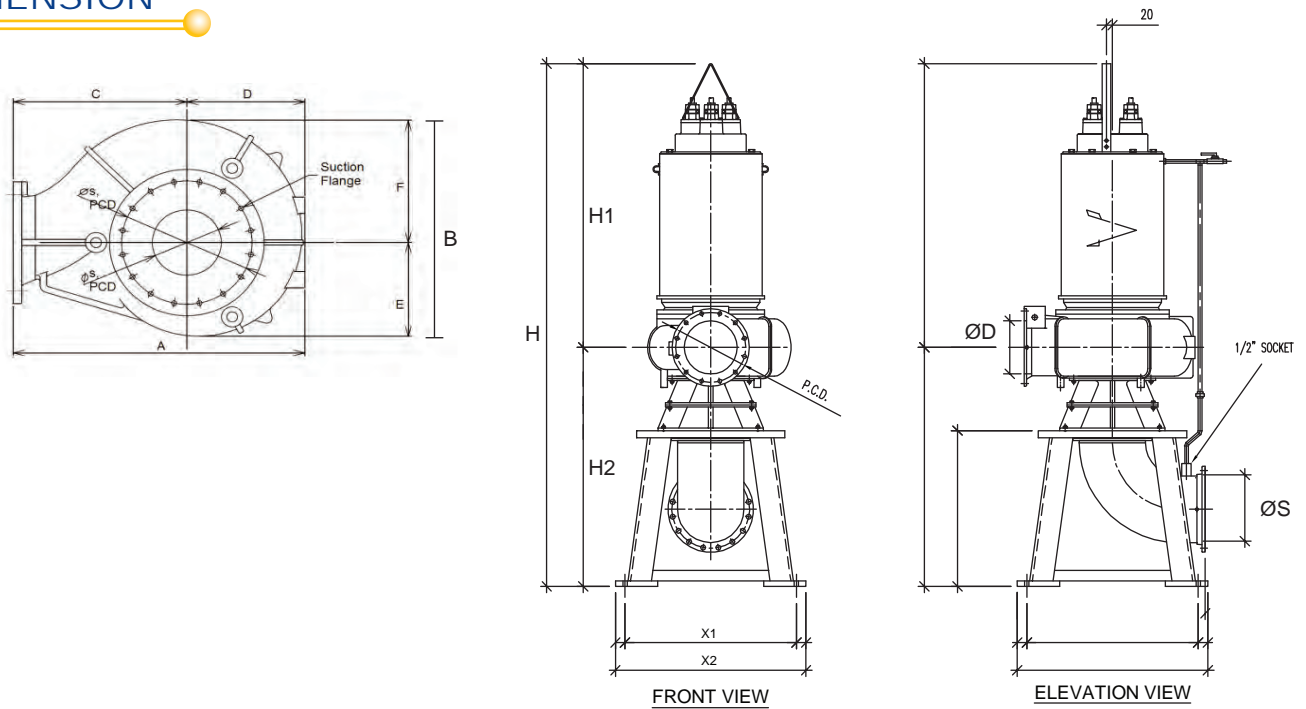
PERFORMANCE CHART



PUMP TYPE

Pump Model	Model Code	Motor Rating		Type of Impeller	Nos. of Blades	Insulation class	
		KW	HP				
200x150 DSCA4	HC-45050-C	37	50	Close, non-clog	2	F	
	AC-45050-C	37	50				
	BC-45060-C	45	60				
	BC-45075-C	55	75				
	CC-45100-C	75	100				
	BBC-45120-C	90	120				
	BBC-45145-C	110	145			H	
400x250 DSCA4	EC-65050-C	37	50		F		
	EC-65060-C	45	60				
	EC-65075-C	55	75				
400x300 DSCA4	FC-65050-C	37	50			H	
	GC-65050-C	37	50				
	EEC-65100-C	75	100				
	EEC-65120-C	90	120				
600x500 DSCA4	EEC-65145-C	110	145				
	D2C-105050-C	37	50				3
	D2C-105060-C	45	60				
	G1C-105075-C	55	75				
	G1C-105100-C	75	100				
	G2C-85120-C	90	120				
	G2C-85145-C	110	145				
	G3C-65175-C	132	175				
	G3C-65200-C	150	200				
	G3C-65215-C	160	215				
G3C-65245-C	185	245					

DIMENSION



Pump Model	Model Code	ØS	ØD	Output (KW)	A	B	C	D	E	F	H1	H2	H	X1	X2	Approx. weight (kg)
200x150 DSCA4	HC-45050-C	200	150	37	720	525	450	270	255	270	1226	870	2096	760	880	1260
	AC-45050-C			37	727	533	450	277	246	287	1206	870	2076	760	880	1220
	BC-45060-C			45	720	525	450	270	255	270	1286	870	2156	760	880	1300
	BC-45075-C			55	720	525	450	270	255	270	1346	870	2216	760	880	1340
	CC-45100-C			75	835	642	500	335	303	339	1428	870	2298	760	880	1500
	BCC-45120-C			90	820	590	520	300	281	310	1502	870	2372	760	880	1730
	BBC-45145-C			110	820	590	520	300	281	310	1562	870	2432	760	880	1770
400x250 DSCA4	EC-65050-C	400	250	37	998	769	600	398	333	436	1356	1060	2416	900	1020	1455
	EC-65060-C			45	998	769	600	398	333	436	1416	1060	2476	900	1020	1495
	EC-65075-C			55	698	769	600	98	333	436	1593	1060	2653	900	1020	1695
400x300 DSCA4	FC-65050-C	400	300	37	937	695	565	372	299	396	1226	1340	2566	1080	1200	1450
	GC-65050-C			37	972	730	580	392	314	416	1226	1340	2566	1080	1200	1450
	EEC-65100-C			75	1093	858	650	443	371	487	1422	1340	2762	1080	1200	2000
	EEC-65120-C			90	1093	858	650	443	371	487	1482	1340	2822	1080	1200	2070
	EEC-65145-C			110	1093	858	650	443	371	487	1562	1340	2902	1080	1200	2150
600x500 DSCA4	D2C-105050-C	600	500	37	1353	993	820	533	426	567	1422	1830	3252	1450	1650	2440
	D2C-105060-C			45	1353	993	820	533	426	567	1532	1830	3362	1450	1650	2540
	G1C-105075-C			55	1509	1143	895	614	491	652	1617	1830	3447	1450	1650	2920
	G1C-105100-C			75	1509	1143	895	614	491	652	1654	1830	3484	1450	1650	3245
	G2C-85120-C			90	1465	1097	875	590	471	626	1654	1830	3484	1450	1650	3210
	G2C-85145-C			110	1465	1097	875	590	471	626	1724	1830	3554	1450	1650	3340
	G3C-65175-C			132	1375	1027	820	555	441	586	1719	1830	3549	1450	1650	3160
	G3C-65200-C			150	1375	1027	820	555	441	586	1859	1830	3689	1450	1650	3330
	G3C-65215-C			160	1375	1027	820	555	441	586	1859	1830	3689	1450	1650	3340
	G3C-65245-C			185	1375	1027	820	555	441	586	1919	1830	3749	1450	1650	3510

* Dimensional details are provided for reference only.
 * All specifications are subject to change without prior notice.

EBARA Pumps Malaysia Sdn Bhd
 6, Jalan TP3, UEP Subang Jaya Industrial Park,
 47620 Subang Jaya, Selangor, Malaysia.
 Tel : 03-8023 6622 Fax : 03-8023 9355
 Email : sales@ebaracom.my
 Website : www.ebaracom.my



Authorised dealer: