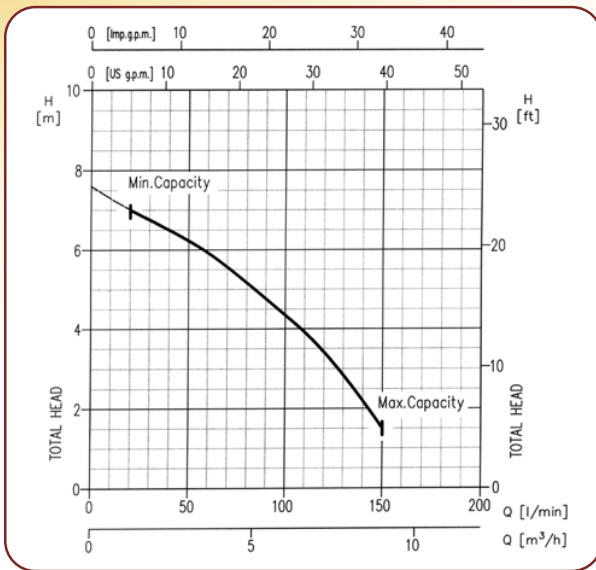




Submersible Sump Pump Type OPTIMA

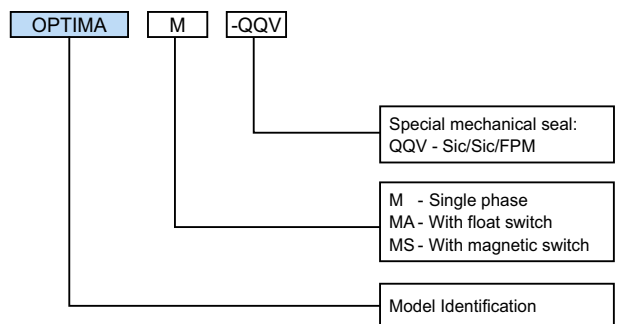
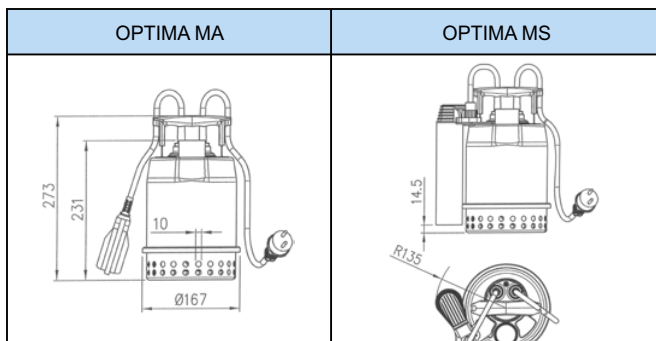
APPLICATIONS

- Dewatering usage.
- Draining garages.
- Gardens and vegetable gardens irrigation.
- Emptying of basements.
- Easy emptying of tubs, tanks.



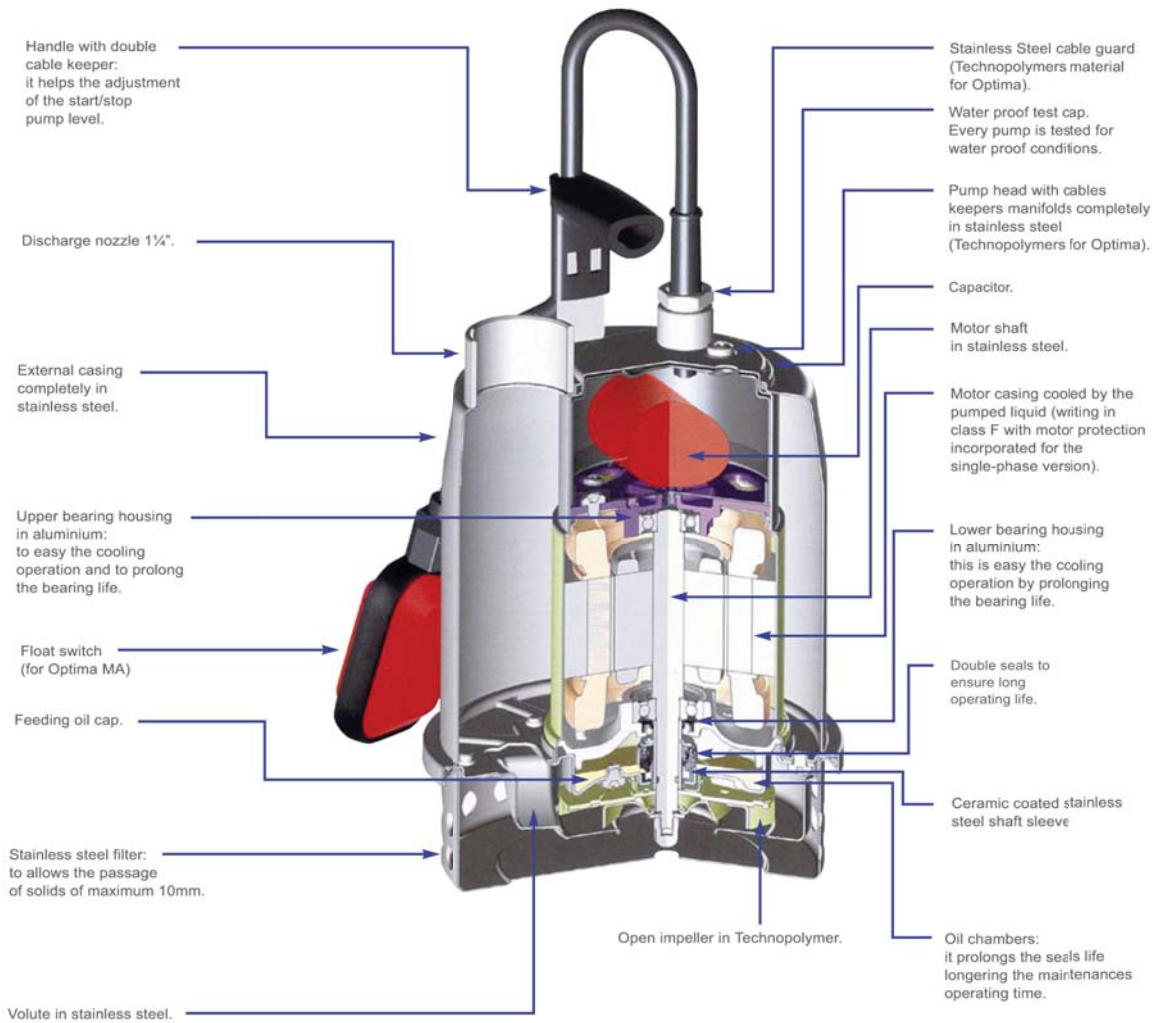
ELECTRICAL DATA

Pumps Type		kW	HP	Capacitor Single Phase		Input [kW]		Full load current [A]		Locked rotor current [A]		Weight (kg)
Single Phase	Three Phase			µF	VI	Single Phase	Three Phase	Single Phase 230 V	Three Phase 400 V	Single Phase 230 V	Three Phase 400 V	
OPTIMA M	OPTIMA	0.25	0.33	8	450	0.45	0.45	1.90	0.95	4.8	3.2	4.1



SPECIFICATION

PUMP		
Liquid Handled	Type of liquid	Clean Water
	Max temperature [°C]	35 for domestic use 40 other use
	Max solids size [mm]	10
Maximum Immersion [m]		5
Construction	Impeller	Semi-open centrifugal type
	Shaft seal type	Oil lubricated mechanical seal
	Bearing	Sealed ball bearing
Pipe Connection	Suction	Strainer
	Discharge nozzle [inch]	G 1 1/4": UNI ISO 228
Material	Pump casing	AISI 304
	Impeller	PPE + PS Glass fiber reinforced
	Shaft seal	Mechanical seal: Ceramic/Carbon/NBR Lip seal: NBR
	Casing cover	AISI 304
	Shaft	AISI 303 + AISI 303 ceramic coated shaft sleeve
	Lubricating liquid	Mineral oil: Esso Marcol 172
Applicable standard of test		ISO 9906 - Annex A



*All specifications are subject to change without prior notice.



Ebara Pumps Malaysia Sdn Bhd
 No.6, Jalan TP3, UEP Subang Jaya Industrial Park,
 47620 Subang Jaya, Selangor, Malaysia.
 Tel : 03-8023 6622 Fax : 8023 9355
 Email : sales@ebara.com.my
 Website : www.ebara.com.my



Authorised dealer: