

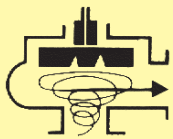


QUALITY SEWAGE SUBMERSIBLE PUMP

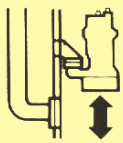
(with vortex impeller)

Model **DMLV**

50Hz



Uses vortex pump
that allows 100%
passage of
foreign matter



Quick Discharge
Connector
(optional) makes
maintenance
simple



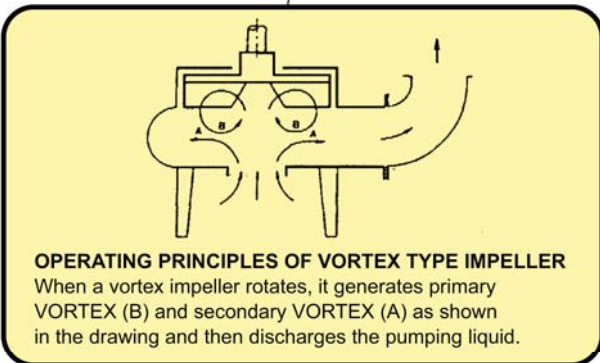
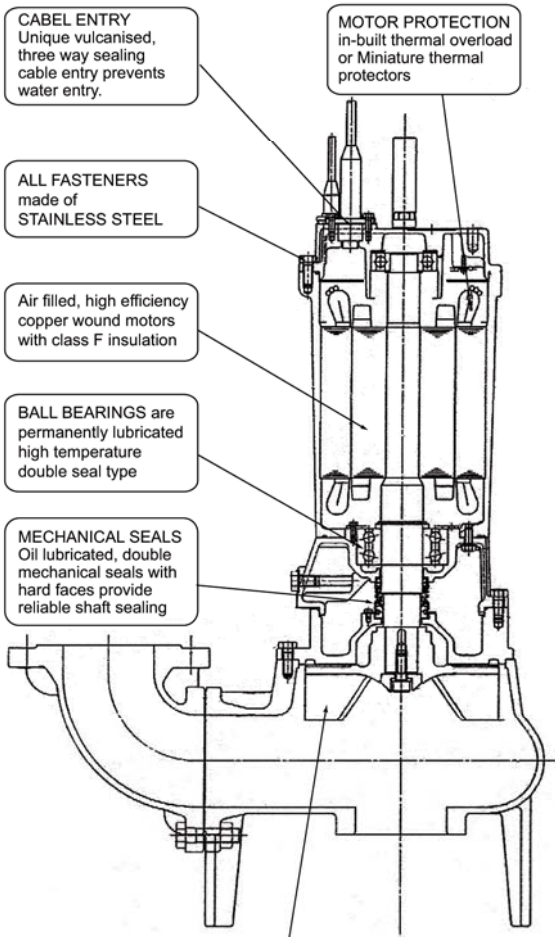
- **Vortex Impeller permits 100% solid passage**
(free flow impeller)
- **Robust EBARA design**

FEATURES

- Free flow Vortex Impeller
- Models up to 100mm discharge

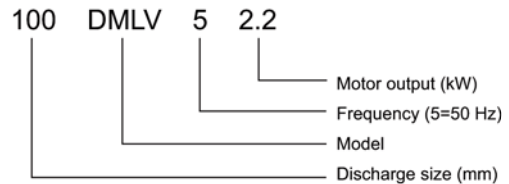
APPLICATIONS

- Sewage
- Waste water

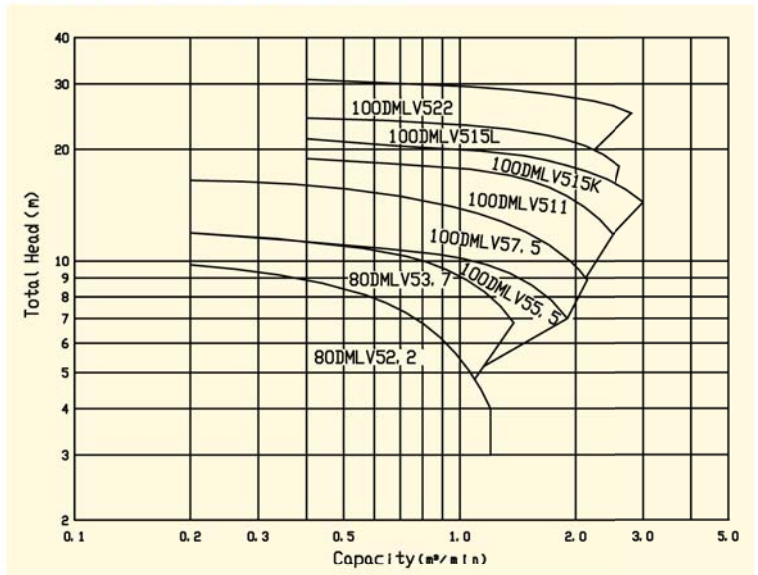


Model		DML	
Liquid Handled	Type of liquid	Sewage, Waste water	
	Temperature	0°C - 40°C	
	Solid Passage	according to pump discharge diameter	
Maximum Submergence		8m	
Minimum Submergence		Refer to water level (L.W.L.) in Dimensions. It is possible to operate at low water level for 30min.	
Synchronous Speed		1500min ⁻¹	
Construction	Mechanical seal	Double mechanical seal	
	Impeller	Vortex type	
	Bearing	Pre-lubricated bearing	
Material	Casing	Cast iron	
	Impeller	Cast iron	
	Shaft	403 Stainless steel	
	Mechanical seal	Impeller side	Silicon carbide
		Motor side	Ceramic / Carbon
	Packing	NBR	
Type	4 pole, air-filled watertight		
Insulation	Class F		
Starting method	2.2kW : Direct on line 3.7kW and above : Star-Delta		
Protectin	Build in overload protector (2.2kW) : Build in temperature detector protection (3.7 ~ 22kW)		
Standard	Submersible cable (10m)		
Optional	Quick discharge connector, Leakage detector.		

MODEL MODE



PERFORMANCE TABLE



*All specifications are subject to change without prior notice.



EBARA Pumps Malaysia Sdn Bhd

No.6, Jalan TP3, UEP Subang Jaya Industrial Park,
47620 Subang Jaya, Selangor, Malaysia.
Tel : 03-8023 6622 Fax : 8023 9355
Email : sales@ebara.com.my
Website : www.ebara.com.my



Authorised dealer: