



EBARA PUMP

Quality since 1912

QUALITY MONOBLOCK END SUCTION PUMP

Type **FSDA**

50Hz



FEATURES

- Easy maintenance B.P.O (Back Pull Out) feature allows all rotating element to be removed without disconnecting the suction and discharge pipework.
- Top centerline discharge, foot support under casing for maximum resistance to misalignment and distortion from pipe loads.
- High operating efficiency over a wider range of capacities, lowers operational cost.
- No alignment required.
- Space saving with compact construction.

APPLICATIONS

- Industrial use
- Water supply.
- Hot and cold water circulation.
- For swimming pool.
- Sprinkling
- Air conditioning

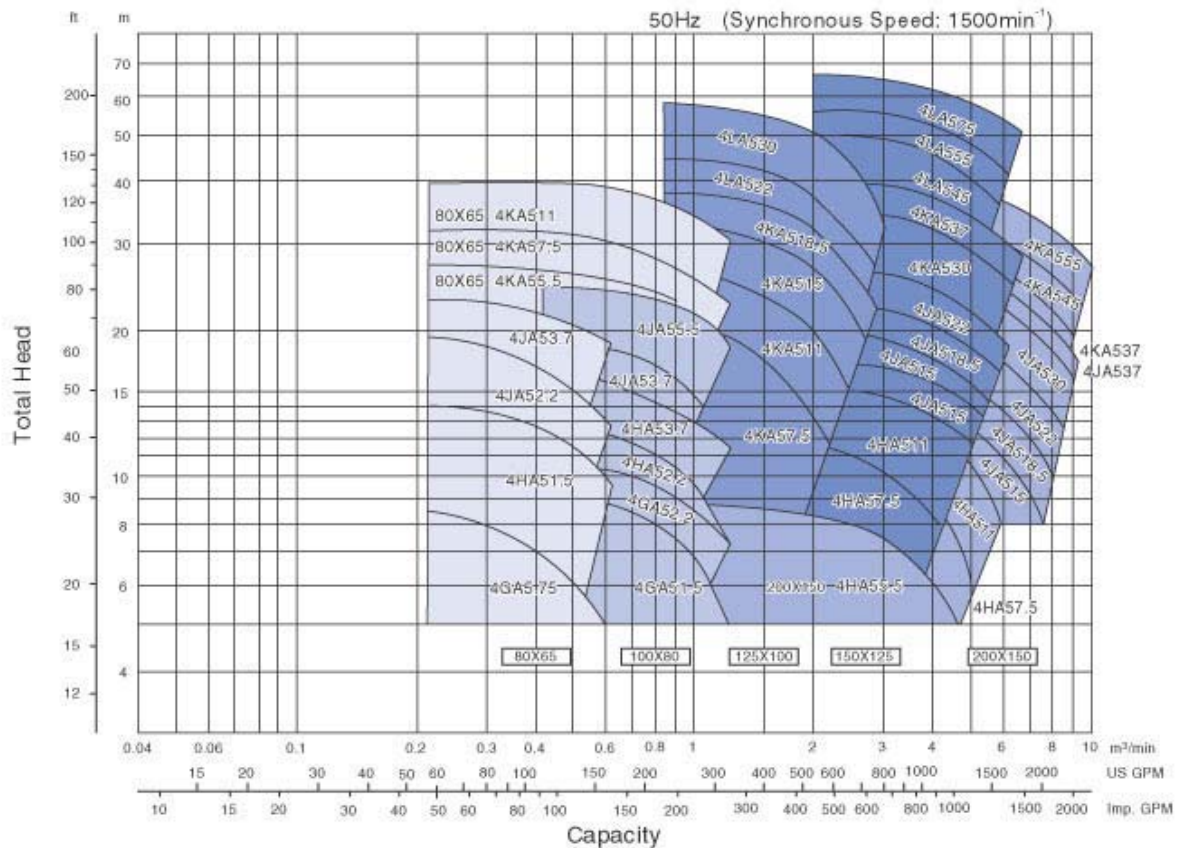


SPECIFICATIONS

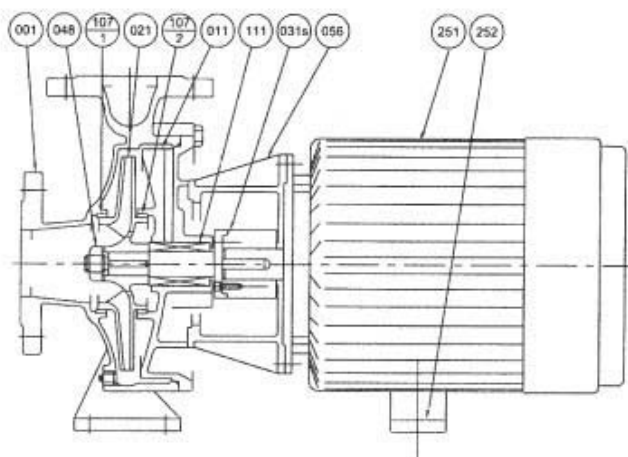
Description		Standard
Pump Model		FSDA
No. of Pole		
Liquid Handled	Type of liquid	Clean Water
	Temperature	0°C - 100°C (32°F - 212°F)
	Viscosity	1 cst
	Specific gravity	1,0
Location		Indoor, Optional : Outdoor
Construction	Impeller	Enclosed
	Pump Shaft	Stub Shaft
	Shaft seat	Mechanical Seal
	Sealing	Self
	Bearing	-
Material	Casing	Cast Iron
	Impeller	Bronze
	Shaft	316 Stainless Steel
	Bracket	Cast Iron
	Seal	M.Seal : Ceramic / Carbon
Flange	Suction & Discharge	JIS 10 K RF
Accessories	Bare Shaft	-
	With motor	-
Motor		
Type	IEC Standard Flange Type	
No. of Pole	4	
Synchronous speed	1500 min-1	
Insulation Class	F	
Protection	IP 54, Optional : IP 55	
Voltage / Phase / Hz	415 V / 3 phase / 50Hz	
Material	Frame	Cast Iron

NOTE : For optional is available upon request

SELECTION CHART

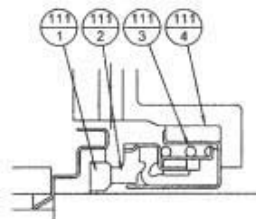


85x65 FSDGA, HA, JA, KA; 100x80 FSDGA, HA, JA; 125x100 FSDKA



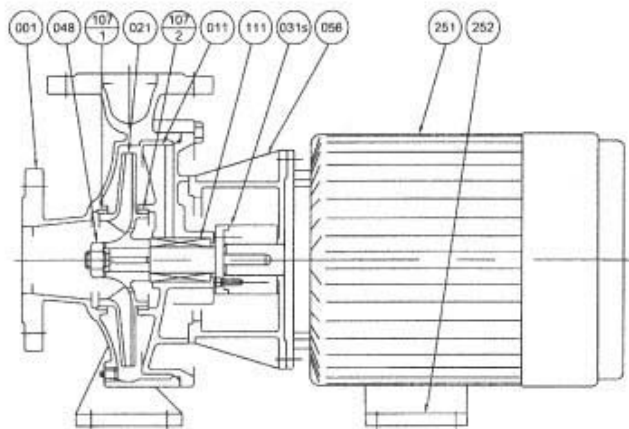
252	Motor Stay	Steel or Cast Iron	1
251	Electric Motor	-	
111	Mechanical seal	-	
107-2	Casing Ring	Bronze	
107-1	Casing Ring	Bronze	
048	Impeller Nut	Brass	
031s	Stud Shaft	316 Stainless Steel	
021	Impeller	Bronze	
011	Casing Cover	Cast Iron	
001	Casing	Cast Iron	
No	Part Name	Material	Qty

Mechanical Seal Type (Standards)
Model FH



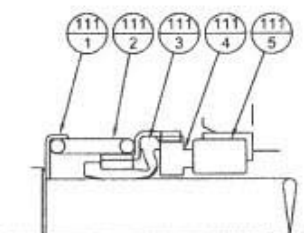
111-4	Packing	Rubber/ NBR	1
111-3	Spring	Stainless	
111-2	Seal Ring	Carbon	
111-1	Mating Ring	Ceramic	
No	Part Name	Material	Qty

125x100 FSDLA, 150x125 FSDHA, FSDIA, FSDKA, FSDLA; 200x150 FSHA, FSJA, FSKA



252	Motor Stay	Steel or Cast Iron	1
251	Electric Motor	-	
111	Mechanical seal	-	
107-2	Casing Ring	Bronze	
107-1	Casing Ring	Bronze	
048	Impeller Nut	Brass	
031s	Stud Shaft	316 Stainless Steel	
021	Impeller	Bronze	
011	Casing Cover	Cast Iron	
001	Casing	Cast Iron	
No	Part Name	Material	Qty

Mechanical Seal Type (Standards)
Model AKN



111-5	Seal	Ceramic	1
111-4	Face	Carbon	
111-3	Friction Ring	Nitrile	
111-2	Spring	316 Stainless Steel	
111-1	Spring Holder	Stainless Steel	
No	Part Name	Material	Qty

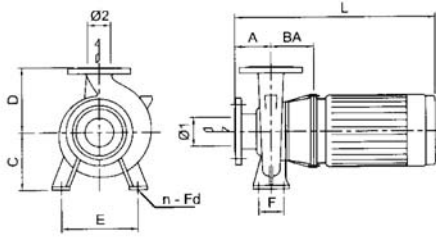


fig. 1

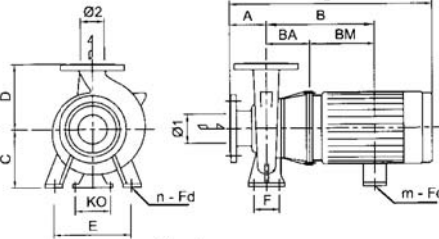


fig. 2

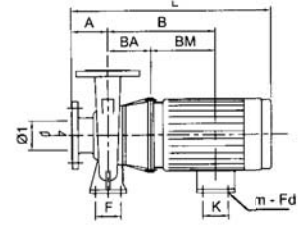


fig. 3

unit : mm

Size		MODEL	Output kW	Fig. No.	A	BA	BM	C	D	E	F	K	KO	n - Fd	m - Fd	L	Weight kg			
1	2																			
80	65	80x65 FSD4GA5.75	0.75	1	100	135	-	160	180	212	70	-	125	4-M12	-	477	78			
		80x65 FSD4HA51.5	1.5						200							556.5	95			
		80x65 FSD4JA52.2	2.2	3		125	156	133	180	225	250	95				2-M12	570.5	114		
		80x65 FSD4JA53.7	3.7					180										627	125	
		80x65 FSD4KA55.5	5.5				186	159	225	280	315	120	100	190	4-M16	4-M16	685	225		
		80x65 FSD4KA57.5	7.5					178										723	239	
80x65 FSD4KA511	11	211	213				150					834	280							
100	80	100x80 FSD4GA51.5	1.5	1	100	135	-	160	200	212	95	-	125	4-M12	-	556.5	94			
		100x80 FSD4GA52.2	2.2																	
		100x80 FSD4HA52.2	2.2	2		100	156	133	180	225	250					2-M12	570.5	115		
		100x80 FSD4HA53.7	3.7					180										627	126	
		100x80 FSD4JA53.7	3.7				186	159	200	250	280	120	100	190	4-M16	2-M16	627	134		
		100x80 FSD4JA55.5	5.5					186									159			660
100x80 FSD4LA522	22	3	140	251	260.5	280	355	400	150	250	300	4-M20	4-M20	991	473					
100x80 FSD4LA530	30				285.5										1051	557				
125	100	125x100 FSD4KA57.5	7.5	3	140	186	178	250	315	315	120	150	190	4-M16	4-M16	738	258			
		125x100 FSD4KA511	11																	
		125x100 FSD4KA515	15			211	235							893	345					
		125x100 FSD4KA518.5	18.5			226	241.5							913	369					
		125x100 FSD4LA522	22			251	260.5	280	355	400	150	250	300	4-M20	4-M20	991	473			
		125x100 FSD4LA530	30				285.5										1051	557		
		150	125	150x125 FSD4HA57.5		7.5	3	140	226	178	250	315	120	150	190	4-M16	4-M16	778	250.5	
				150x125 FSD4HA511		11														
				150x125 FSD4HA515		15			226	235	250	315	120	150	190	4-M16	4-M16	908	330	
				150x125 FSD4JA515		15														
				150x125 FSD4JA518.5		18.5			241.5	260.5	280	355	400	150	200	250	4-M20	4-M20	928	359.5
				150x125 FSD4JA522		22														
150x125 FSD4KA530	30			260	285.5	280	355		400	150	250	300	4-M20	4-M20	1060	559.5				
150x125 FSD4KA537	37																			
150x125 FSD4LA545	45			295	305	315	400		400	150	300	350	4-M20	4-M20	1136	661				
150x125 FSD4LA555	55				325											1177.5	822			
150x125 FSD4LA575	75			344											1177	876				
200	150			200x150 FSD4HA55.5	5.5	3	160		186	159	280	355	400	150	190	4-M20	4-M20	720	277	
		200x150 FSD4HA57.5	7.5																	
		200x150 FSD4HA511	11	226	213			280	355	400	150	200	250	4-M20	4-M20	884	329			
		200x150 FSD4JA515	15																	
		200x150 FSD4JA518.5	18.5	260	235			315	400	450	150	250	300	4-M20	4-M20	982	463			
		200x150 FSD4JA522	22		241.5															
		200x150 FSD4JA530	30	260.5											1080	577				
		200x150 FSD4JA537	37	295	285.5	315		400	450	150	250	300	4-M20	4-M20	1131	607				
		200x150 FSD4KA537	37		292											1172	645.5			
		200x150 FSD4KA545	45	336	305	315		400	450	150	300	350	4-M20	4-M20	1197	693				
		200x150 FSD4KA555	55																	

Note: All specifications are subject to change without prior notice.



EBARA Pumps Malaysia Sdn Bhd

No.6, Jalan TP3, UEP Subang Jaya Industrial Park,
47620 Subang Jaya, Selangor, Malaysia.

Tel : 03-8023 6622 Fax : 8023 9355

Email : sales@ebara.com.my

Website : www.ebara.com.my

Authorised Dealer