



## **QUALITY** Horizontal Multistage Pump

### **Type COMPACT**

#### **APPLICATIONS**

- Pressure boosting for domestic systems
- Car washing
- Small irrigation of garden
- General clean water pumping

#### **SPECIFICATIONS**

- Maximum working pressure : 10bar
- Maximum liquid temperature :
  - 35°C according EN 60335-2-41 for domestic uses
  - 40°C for other uses

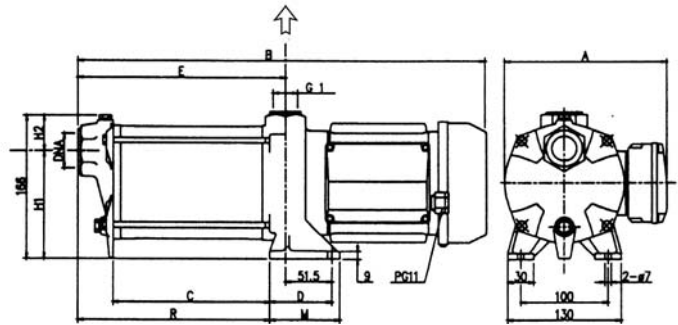
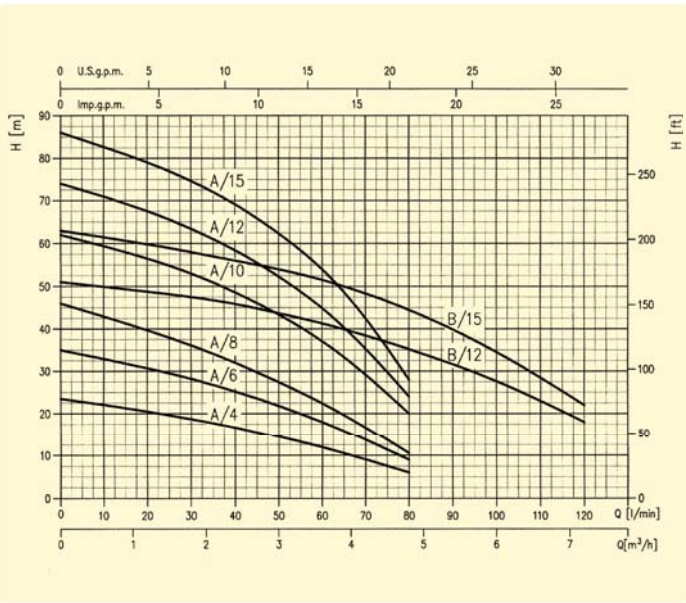


#### **MATERIALS**

- Pump body and bracket in cast iron
- External casing in AISI 304
- Impeller and diffuser in technopolymer
- Shaft in AISI 416
- Mechanical seal in carbon / ceramic / NBR

#### **TECHNICAL DATA**

- Asynchronous 2 poles motor
- Insulation : class F
- Protection degree : IP44
- 1~230V  $\pm$  10% 50Hz, 3~230/400V  $\pm$  10% 50Hz
- Permanent split capacitor and automatic thermal overload protection for single-phase version
- Thermal protection to be provided by the user for three-phase version
- DNM 1" - DNA 1" 1/4 for COMPACT B/12 and B/15, 1" for other models



## PERFORMANCE TABLE

Pump type		kW	Capacitor		Absorbed Current (A)			l/min m³/h	Q = Capacity							
Single-phase 230V 50Hz	Three-phase 400V 50Hz		µF	Vc	Single-phase	Three-phase 230V 400V			20	30	40	H=Total head		80	100	120
								1.2	1.8	2.4	3	3.6	4.8	6	7.2	
COMPACT AM/4	COMPACT A/4	0.3	10	450	2.5	1.9	1.1	20.5	18.7	16.7	14.4	11.9	6	-	-	
COMPACT AM/6	COMPACT A/6	0.44	12.5	450	3.0	2.3	1.3	30.7	28.2	25.2	21.8	18	9	-	-	
COMPACT AM/8	COMPACT A/8	0.6	14	450	4.0	2.6	1.5	39.7	36.1	32	27.4	22.4	10.5	-	-	
COMPACT AM/10	COMPACT A/10	0.75	20	450	6.0	4.2	2.4	56.5	53	48.6	43.4	37.1	20	-	-	
COMPACT AM/12	COMPACT A/12	0.9	31.5	450	6.2	4.7	2.7	67.5	63.4	58.4	52.3	44.9	24	-	-	
COMPACT AM/15	COMPACT A/15	1.1	31.5	450	7.3	5.7	3.3	79	74.6	69.1	62.3	54	28	-	-	
COMPACT BM/12	COMPACT B/12	0.9	31.5	450	5.8	4.7	2.7	-	47.5	45.9	43.7	41.3	35.2	27.6	18	
COMPACT BM/15	COMPACT B/15	1.1	31.5	450	7.3	5.9	3.4	-	58	56	54	51.5	44.5	34.5	22	

## DIMENSIONAL TABLE

Pump type		Dimensions (mm)											Weight	
Single-phase	Three-phase	A		B	C	D	E	H1	H2	M	R	DNA	kg	
		1~	2~											
COMPACT AM/4	COMPACT A/4	183.5	159	307.5	82	51.5	120.5	127.5	38.5	62	120.5	G1	8.4	
COMPACT AM/6	COMPACT A/6	183.5	159	333.5	108	51.5	146.5	127.5	38.5	62	146.5	G1	9.3	
COMPACT AM/8	COMPACT A/8	183.5	159	359.5	134	51.5	172.5	127.5	38.5	62	172.5	G1	10.3	
COMPACT AM/10	COMPACT A/10	193.5	169	426	142	69.5	198.5	123.5	42.5	80	180.5	G1	14.5	
COMPACT AM/12	COMPACT A/12	193.5	169	452	168	69.5	224.5	123.5	42.5	80	206.5	G1	15.5	
COMPACT AM/15	COMPACT A/15	193.5	169	490	194	69.5	250.5	123.5	42.5	80	232.5	G1	16.7	
COMPACT BM/12	COMPACT B/12	193.5	169	400	116	69.5	172.5	123.5	42.5	80	154.5	G1 1/4	14.9	
COMPACT BM/15	COMPACT B/15	193.5	169	438	142	69.5	198.5	123.5	42.5	80	180.5	G1 1/4	15.9	

\*All specifications are subject to change without prior notice.



### EBARA Pumps Malaysia Sdn Bhd

No.6, Jalan TP3, UEP Subang Jaya Industrial Park,  
47620 Subang Jaya, Selangor, Malaysia.

Tel : 03-8023 6622 Fax : 8023 9355

Email : sales@ebarapumps.com.my

Website : www.ebarapumps.com.my



Authorised dealer: