



## QUALITY 6" Stainless Steel Borehole Submersible Pumps

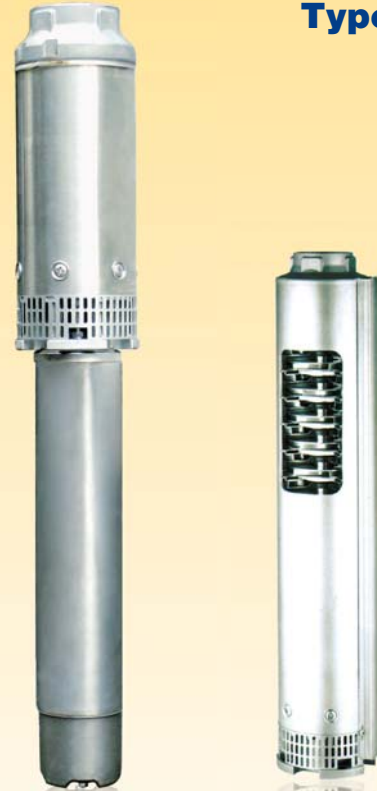
### Type 6 BHE

#### APPLICATIONS

- Water pumping from deep wells
- Sprinkling and flow irrigation systems
- Fire-fighting systems
- Mining applications
- Other various industrial applications

#### FEATURES

- Easy to install and service, thanks to the simple hydraulic design (all parts are easily dismantled if field service is necessary, thus minimizing the system down-time)
- Fluted Ceramic/Nitrile bearings and floating PTFE neck rings allow excellent abrasives handling and wear resistance
- Check valve assembly incorporated into discharge head

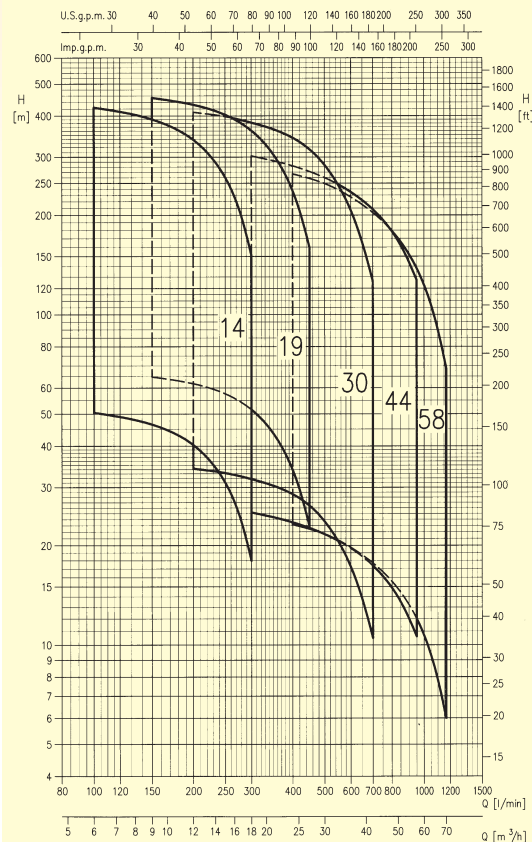


#### SPECIFICATIONS

- Capacities up to 70m<sup>3</sup>/h
- Heads up to 500m
- Maximum allowable amount of sand 50 gr/m<sup>3</sup> (of the same hardness and granulometry of silt)
- Water temperature range: from 0°C to 50°C
- Rotation: counter clockwise when looking into discharge
- Coupling with NEMA standard motors
- Pump can work continuously both vertically or horizontally

#### AVAILABLE ON REQUEST

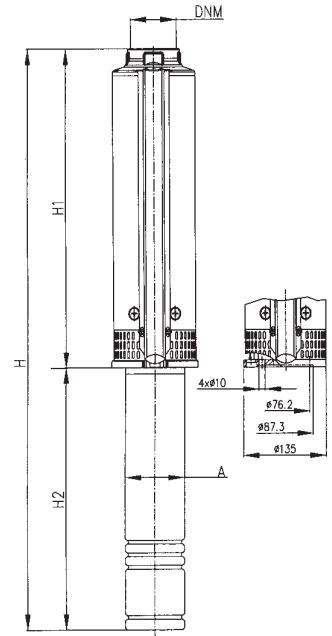
- AISI 316 stainless steel version (DIN/EN 1.4401)
- Double cable guard  
BHE 14 and 19 types with Rp 2" and 3" discharge head
- Rp 4" discharge head
- 4" motor adapter



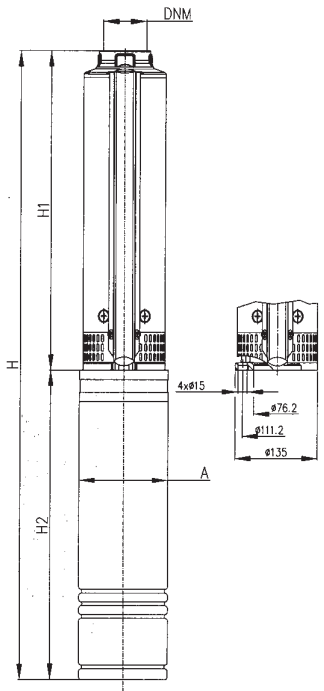
## DIMENSIONS (6BHE14 - 6BHE19 - 6BHE30)

Pump type	Motor			Pump without motor			Pump with oil filled motor				Pump with water filled motor				
	Size	Power kW	HP	H1 (mm)	DNM	Weight [Kgf]	A [mm]	H2 [mm]	H [mm]	Weight [kgf]	A [mm]	H2 [mm]	H [mm]	Weight [kgf]	
64 BHE 14 - 5	4"	2.2	3	356	Rp 2 1/2	10.5	97	466	820	25	95	440	794	27	
64 BHE 14 - 8		4	5.5	446	Rp 2 1/2	13	97	574	1018	33	95	583	1027	37	
6 BHE 14 - 8	6"	4	5.5	446	Rp 2 1/2	13	139	540	986	51	137	581	1027	51	
64 BHE 14 - 13	4"	5.5	7.5	596	Rp 2 1/2	16.5	97	644	1238	39	95	698	1291	46	
6 BHE 14 - 13		6"	5.5	7.5	596	Rp 2 1/2	16.5	139	570	1166	57	137	614	1210	58
6 BHE 14 - 17	6"	7.5	10	716	Rp 2 1/2	19.5	139	600	1316	62	137	646	1362	65	
6 BHE 14 - 22		9.2	12.5	866	Rp 2 1/2	23	139	600	1466	68	137	679	1545	71	
6 BHE 14 - 26		11	15	986	Rp 2 1/2	26	139	700	1686	74	137	711	1697	77	
6 BHE 14 - 32		15	20	1166	Rp 2 1/2	30.5	139	760	1926	85	137	776	1942	87	
6 BHE 14 - 36		15	20	1286	Rp 2 1/2	33.5	139	760	2046	88	137	776	2062	90	
6 BHE 14 - 42		18.5	25	1466	Rp 2 1/2	38	139	830	2296	103	137	842	2308	101	
64 BHE 19 - 6		4"	4	5.5	431	Rp 2 1/2	12	97	574	1003	32	95	583	1012	36
6 BHE 19 - 6		6"	4	5.5	431	Rp 2 1/2	12	139	540	971	50	137	581	1012	50
64 BHE 19 - 9	4"	5.5	7.5	543.5	Rp 2 1/2	14.5	97	644	1185	37	95	698	1239	44	
6 BHE 19 - 9	6"	5.5	7.5	543.5	Rp 2 1/2	14.5	139	570	1114	55	137	614	1158	56	
6 BHE 19 - 12	6"	7.5	10	656	Rp 2 1/2	16.5	139	600	1256	59	137	646	1302	62	
6 BHE 19 - 15		9.2	12.5	768.5	Rp 2 1/2	19	139	600	1369	64	137	679	1447	67	
6 BHE 19 - 18		11	15	881	Rp 2 1/2	21.5	139	700	1581	70	137	711	1592	72	
6 BHE 19 - 21		15	20	993.5	Rp 2 1/2	24	139	760	1754	78	137	776	1770	81	
6 BHE 19 - 24		15	20	1106	Rp 2 1/2	26.5	139	760	1866	81	137	776	1882	83	
6 BHE 19 - 28		18.5	25	1256	Rp 2 1/2	30	139	830	2086	95	137	842	2098	93	
6 BHE 19 - 30		18.5	25	1331	Rp 2 1/2	31.5	139	830	2161	97	137	842	2173	95	
6 BHE 19 - 33		22	30	1443.5	Rp 2 1/2	34	139	890	2334	104	137	907	2350	103	
6 BHE 19 - 36	6"	22	30	1556	Rp 2 1/2	36.5	139	890	2446	107	137	907	2463	106	
6 BHE 19 - 39		30	40	1668	Rp 2 1/2	39	139	1030	2698	129	137	1037	2705	123	
6 BHE 19 - 42		30	40	1853	Rp 2 1/2	42	139	1030	2883	132	137	1037	2890	126	
64 BHE 30 - 3		4"	3	4	365.5	Rp 3"	10.5	97	544	907	30	95	507	870	30
64 BHE 30 - 4	4"	4	5.5	412	Rp 3"	11.5	97	574	984	32	95	583	993	36	
6 BHE 30 - 4	6"	4	5.5	412	Rp 3"	11.5	139	540	952	50	137	581	993	49	
64 BHE 30 - 5	4"	5.5	7.5	458.5	Rp 3"	12.5	97	644	1100	35	95	698	1154	42	
6 BHE 30 - 5	6"	5.5	7.5	458.5	Rp 3"	12.5	139	570	1029	53	137	614	1073	54	
6 BHE 30 - 7	6"	7.5	10	551.5	Rp 3"	14.5	139	600	1152	57	137	646	1198	60	
6 BHE 30 - 11		11	15	737.5	Rp 3"	18.5	139	700	1438	67	137	711	1449	69	
6 BHE 30 - 15		15	20	923.5	Rp 3"	22.5	139	700	1624	77	137	776	1700	79	
6 BHE 30 - 19		18.5	25	1109.5	Rp 3"	26	139	830	1940	91	137	842	1951	89	
6 BHE 30 - 23		22	30	1295.5	Rp 3"	30	139	890	2186	100	137	907	2202	99	
6 BHE 30 - 27		30	40	1481.5	Rp 3"	34	139	1030	2512	124	137	1037	2518	118	
6 BHE 30 - 31		30	40	1667.5	Rp 3"	38	139	1030	2698	128	137	1037	2704	122	
6 BHE 30 - 33		37	50	1760	Rp 3"	40	-	-	-	-	137	1405	3165	175	
6 BHE 30 - 36	37	50	1899.5	Rp 3"	43	-	-	-	-	137	1405	3304	178		

Pump with 4" motor adapter (64BHE)



Pump with 6" motor adapter (6BHE)



## DIMENSIONS (6BHE44 - 6BHE58)

Pump type	Motor			Pump without motor			Pump with oil filled motor				Pump with water filled motor			
	Size	Power kW	HP	H1 (mm)	DNM	Weight [Kgf]	A [mm]	H2 [mm]	H [mm]	Weight [kgf]	A [mm]	H2 [mm]	H [mm]	Weight [kgf]
64 BHE 44 - 2	4"	3	4	365.5	Rp 3"	11	97	544	907	30	95	507	870	30
64 BHE 44 - 3	4"	4	5.5	458.5	Rp 3"	13.5	97	644	1100	36	95	698	1154	43
6 BHE 44 - 3	6"	4	5.5	458.5	Rp 3"	13.5	139	570	1029	54	137	614	1073	55
6 BHE 44 - 5	6"	5.5	7.5	644.5	Rp 3"	18	139	600	1245	60	137	646	1291	63
6 BHE 44 - 7		7.5	10	830.5	Rp 3"	22.5	139	700	1531	71	137	711	1542	73
6 BHE 44 - 9	6"	11	15	1016.5	Rp 3"	27	139	760	1777	81	137	776	1793	84
6 BHE 44 - 10		15	20	1109.5	Rp 3"	29.5	139	760	1870	84	137	776	1886	86
6 BHE 44 - 12		18.5	25	1295.5	Rp 3"	34	139	830	2126	99	137	842	2137	97
6 BHE 44 - 15		22	30	1574.5	Rp 3"	40.5	139	890	2465	111	137	907	2481	110
6 BHE 44 - 18		30	40	1853.5	Rp 3"	47.5	139	1030	2884	138	137	1037	2890	131
6 BHE 44 - 20		30	40	2039.5	Rp 3"	52	139	1030	3070	142	137	1037	3076	136
6 BHE 44 - 22		37	50	2225.5	Rp 3"	56.5	-	-	-	-	137	1405	3630	192
6 BHE 44 - 24		37	50	2411	Rp 3"	61	-	-	-	-	137	1405	3816	196
64 BHE 58 - 2	4"	3	4	365.5	Rp 3"	11.5	97	544	907	31	95	507	870	31
64 BHE 58 - 3	4"	5.5	7.5	458.5	Rp 3"	13.5	97	644	1100	36	95	698	1154	43
6 BHE 58 - 3	6"	5.5	7.5	458.5	Rp 3"	13.5	139	570	1029	54	137	614	1073	55
6 BHE 58 - 5	6"	7.5	10	644.5	Rp 3"	18	139	600	1245	60	137	646	1291	63
6 BHE 58 - 7		11	15	830.5	Rp 3"	23	139	700	1531	71	137	711	1542	74
6 BHE 58 - 9		15	20	1016.5	Rp 3"	27.5	139	760	1777	82	137	776	1793	84
6 BHE 58 - 10		15	20	1109.5	Rp 3"	30	139	760	1870	84	137	776	1886	87
6 BHE 58 - 12		18.5	25	1295.5	Rp 3"	34.5	139	830	2126	100	137	842	2137	98
6 BHE 58 - 14		22	30	1481.5	Rp 3"	39	139	890	2372	109	137	907	2388	108
6 BHE 58 - 16		30	40	1667.5	Rp 3"	44	139	1030	2698	134	137	1037	2704	128
6 BHE 58 - 18		30	40	1853.5	Rp 3"	48.5	139	1030	2884	139	137	1037	2890	132
6 BHE 58 - 20	37	50	2040	Rp 3"	52	-	-	-	-	137	1405	3445	187	
6 BHE 58 - 23	37	50	2318	Rp 3"	60	-	-	-	-	137	1405	3723	195	

	6 BHE without motor	64 BHE with motor 4"	6 BHE with motor 6"
Diameter with 1 cable cover	141	141	144
Diameter with 2 cable covers	145	/	146.5

\*All specifications are subject to change without prior notice.



**EBARA Pumps Malaysia Sdn Bhd**  
 6, Jalan TP3, UEP Subang Jaya Industrial Park,  
 47620 Subang Jaya, Selangor, Malaysia.  
 Tel : 03-8023 8355 Fax : 03-8023 9355  
 Email : sales@ebara.com.my  
 Website : www.ebara.com.my



Authorized dealer: