

# *QUALITY* IN-LINE PUMP

Model **LPDA**

## APPLICATIONS



Water supply



Hot, cold water  
circulation



Cooling tower



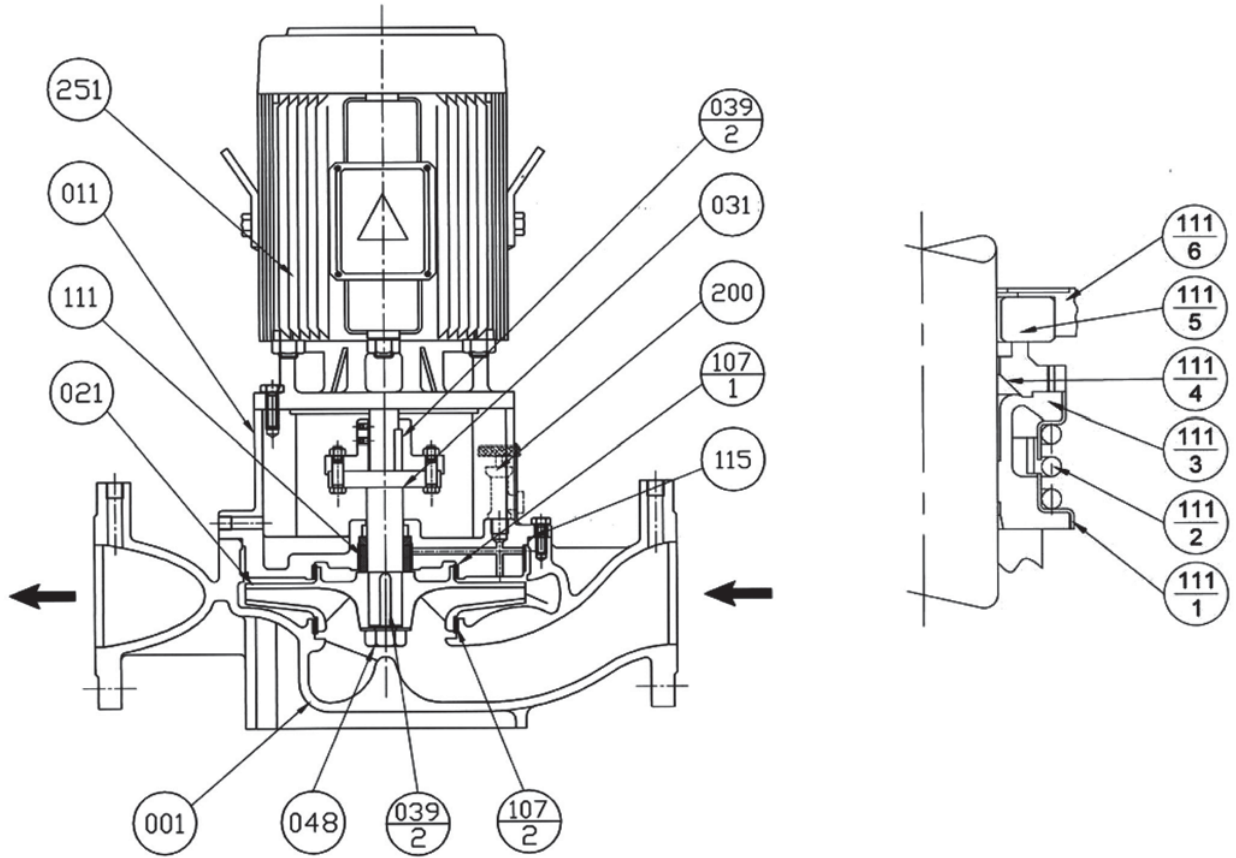
Hot water  
supply

## FEATURES

- The four-pole and low speed motor makes the pump compact, lightweight and minimize installation space.
- Less floor space required for installation.
- No alignment required.
- Easy maintenance (V.P.O) Vertical Pull Out.
- High allowable temperature (Max.100°C) and high suction pressure (Max.0.69MPa) are available.
- Sealed ball bearing eliminates need of lubrication.
- Mechanical seal ensure no leakage pumping operation.







Part no.	Part Name	Material	Qty
251	Electric Motor	-	1
200	Air Vent Valve	-	1
115	"O" Ring	NBR	1
111	Mechanical Seal	-	1
107	Liner Ring	BC 6	2
048	Impeller Nut	CAC	1
039-2	Key	SUS 316	1
039-1	Key	S35C	1
031	Stub Shaft	SUS 304	1
021	Impeller	BC 6	1
011	Casing Bracket	FC 250	1
001	Casing	FC 250	1

Part no.	Part Name	Material	Qty
111-6	Cup Gasket	NBR	1
111-5	Mating Ring	Ceramic	1
111-4	Seal Ring	Carbon	1
111-3	Bellows	NBR	1
111-2	Spring	Stainless	1
111-1	Spring Holder	Steel	1

**DIRECT MOUNTING ON PIPE  
(BELOW 3KW)**

Motor horizontal / Horizontal motor

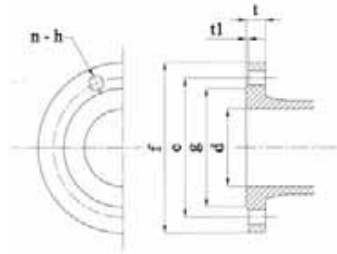
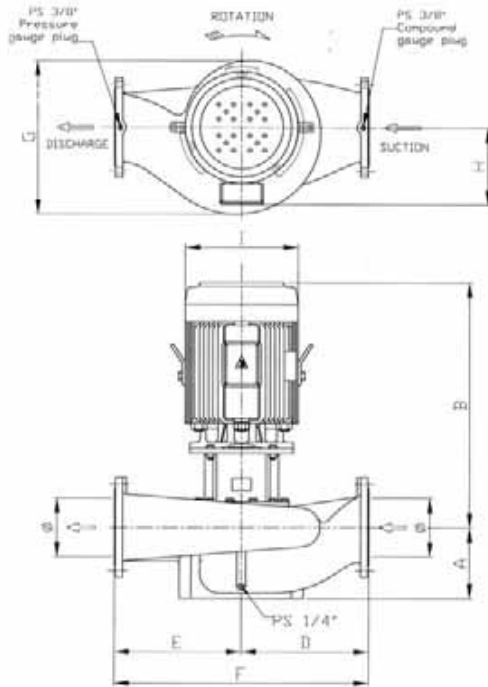


Motor vertical  
Vertical motor



**DIRECT MOUNTING ON  
BASEPLATE  
(ABOVE 3.7KW)**





d mm	e mm	f mm	g mm	t mm	t1 mm	n mm	h mm
100	180	220	153	25	3	8	19
125	210	250	183	25.5	3	8	19
150	240	285	209	26	3	8	23
200	295	340	264	27.5	3	12	23

Unit: mm

SIZE (mm)	Model	Output (kW)	Frame Size	A	B	D	E	F	G	H	I	Weight kg
100	100 LPD4GA	1.5	90L	130	507.5	235	235	470	282	170	200	70
		2.2	100L		526.5					180	219	80
	100 LPD4JA	2.2	100L	130	494.5	265	265	530	307	180	219	93
		3.7	112M		551					189	238	104
		3.7	112M		551					189	238	120
5.5	132S	580	224	273	138							
125	125 LPD4GCA	2.2	100L	160	494.5	240	240	480	282	180	219	82
		3.7	112M		551					189	238	93
	125 LPD4HCA	5.5	132S	160	574	265	265	530	307	224	273	126
		7.5	132M		612					224	273	140
		5.5	132S		574					224	273	197
	125 LPD4JCA	7.5	132M	160	612	300	300	600	424	224	273	212
		11	160M		734					263	334	250
	125 LPD4KA	15	160L	160	777	350	350	700	465	263	334	274
		18.5	180MC		797					305	382	314
	125 LPD4LA	22	180LC	160	870	400	400	800	517	305	382	407
		30	200LC		966					374	420	480
7.5		132M	632		224					273	193	
150	150 LPD4HA	11	160M	200	753	350	350	700	429	263	334	230
		15	160L		797					263	334	248
		15	160L		777					263	334	268
	150 LPD4JA	18.5	180MC	200	797	400	400	800	473.5	305	382	308
		22	180LC		835					305	382	340
	150 LPD4KA	30	200LC	200	966	400	400	800	531	374	420	457
		37	225SC		1054					427	458	506
	150 LPD4LA	45	225MC	200	1073	450	450	900	580	427	458	580
		55	250SC		828.5					493	510	705
		75	250MC		866.5					493	510	780
200	200 LPD4HA	5.5	132S	230	574	430	430	860	473.5	224	273	216
		7.5	132M		612					224	273	230
		11	160M		733					263	334	269
	200 LPD4JA	15	160L	245	812	430	430	860	523	263	334	328
		18.5	180MC		832					305	382	368
		22	180LC		870					305	380	400
		30	200LC		966					374	420	474
	200 LPD4KA	37	225SC	240	1011	450	450	900	567	427	458	553
		45	225MC		1036					427	458	577
		55	250SC		1113.5					493	510	700

\*All specifications are subject to change without prior notice.



**EBARA Pumps Malaysia Sdn Bhd**  
 6, Jalan TP3, UEP Subang Jaya Industrial Park,  
 47620 Subang Jaya, Selangor, Malaysia.  
 Tel : 03-8023 8355 Fax : 03-8023 9355  
 Email : sales@ebara.com.my  
 Website : www.ebara.com.my



Authorised dealer: