

# **QUALITY** Monobloc Centrifugal Pumps

## **Type MD / MMD**

### **APPLICATIONS**

**According to EN 733 (DIN 24255), in cast iron**

- Boosting pump
- Farming and industrial systems
- Fire-fighting systems
- Heating and air-conditioning systems
- Washing systems
- Other industrial applications

### **SPECIFICATIONS**

- Maximum working pressure : 10 bar
- Maximum liquid temperature :
  - 90°C (MD)
  - 130°C (MMD)

### **MATERIALS**

- Pump body, bracket and impeller in cast iron
- Shaft in AISI 304 (MD), in AISI 406 (MMD)
- Mechanical seal in carbon / ceramic / NBR (MD)  
SiC / SiC / EPDM (MMD)

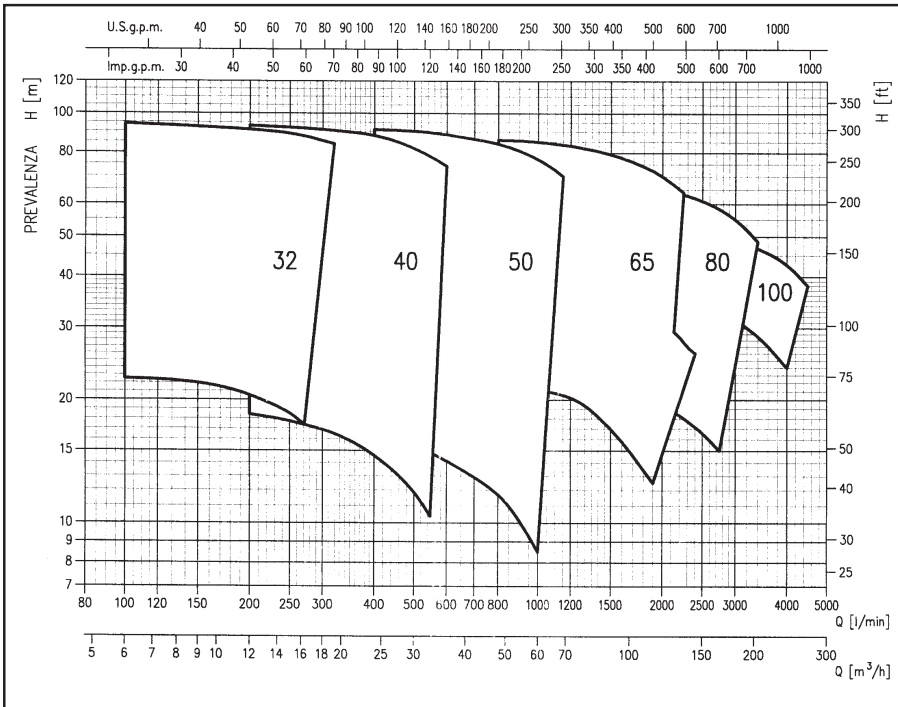
### **TECHNICAL DATA**

- Asynchronous 2 and 4 poles motor
- Insulation : class F
- Protection degree : IP55 (MD), IP54 (MMD)
- 1~230V  $\pm$  10% 50Hz, 3~230/400V  $\pm$  10% 50Hz  
up to 4kW included, 400/690V  $\pm$  10% 5.5kW and above
- Permanent split capacitor and automatic thermal overload protection for single-phase version
- Thermal protection to be provided by the user for three-phase version
- Suction : flange to DIN 2532 (50mm-65mm-80mm)
- Discharge : flange to DIN 2532 (32mm-40mm-50mm-65mm)



## SELECTION CHART - MD/MMD 32-40-50-65-80-100

2 poles



R.P.M. ≈ 2900min<sup>-1</sup>  
 Test fluid : Clean water 20°C  
 Applicable standard :  
 UNI EN ISO 9906 Appendice A

## PERFORMANCE TABLE (2900 rpm)

Model	Motor		Q=Capacity																							
	kW	HP	l/min	0	100	200	250	280	320	400	550	600	667	800	1000	1100	1150	1200	1400	1900	2000	2200	2300	2400		
			m <sup>3</sup> /h	0	6	12	15	17	19	24	33	36	40	48	60	66	69	72	84	114	120	132	138	144		
H=Total head [m]																										
MD 32-125/1.1*	1.1	1.5	23	22.5	20.5	18.5	-	-	-	-	-	-	-	-	-	-	-	-	-	-	-	-	-	-	-	
MD 32-125/1.5*	1.5	2	24	23.5	21.5	19.7	18.5	16.6	12	-	-	-	-	-	-	-	-	-	-	-	-	-	-	-	-	
MD 32-160/1.5*	1.5	2	28	27	24	22	20.5	-	-	-	-	-	-	-	-	-	-	-	-	-	-	-	-	-	-	
MD 32-160/2.2*	2.2	3	35.5	34.5	32	30	28.5	-	-	-	-	-	-	-	-	-	-	-	-	-	-	-	-	-	-	
MD 32-200/3.0	3	4	43	41	36.5	33	30.5	-	-	-	-	-	-	-	-	-	-	-	-	-	-	-	-	-	-	
MD 32-200/4.0	4	5.5	52	50.5	47	44.5	42.5	-	-	-	-	-	-	-	-	-	-	-	-	-	-	-	-	-	-	
MD 32-250/5.5	5.5	7.5	58	57	54	51	49	45	-	-	-	-	-	-	-	-	-	-	-	-	-	-	-	-	-	
MD 32-250/7.5	7.5	10	71	70	67	64	62	58	-	-	-	-	-	-	-	-	-	-	-	-	-	-	-	-	-	
MD 32-250/9.2	9.2	12.5	84	83	80	78	76	73	-	-	-	-	-	-	-	-	-	-	-	-	-	-	-	-	-	
MD 32-250/11	11	15	95	94	91	89	87	84	-	-	-	-	-	-	-	-	-	-	-	-	-	-	-	-	-	
MD 40-125/1.5*	1.5	2	20	19.5	18.4	17.7	17.2	16.5	14.6	10.3	8.5	-	-	-	-	-	-	-	-	-	-	-	-	-	-	
MD 40-125/2.2*	2.2	3	25.5	25	23.5	23	22.5	22	20.5	16.9	15.5	-	-	-	-	-	-	-	-	-	-	-	-	-	-	
MD 40-160/3.0	3	4	31.5	30.5	29	28	27.5	26.5	25	21	19	-	-	-	-	-	-	-	-	-	-	-	-	-	-	
MD 40-160/4.0	4	5.5	39	38	36.5	36	33.5	35	33	29.5	28	-	-	-	-	-	-	-	-	-	-	-	-	-	-	
MD 40-200/5.5	5.5	7.5	48.5	48	47	46	45.5	44.5	42.5	37.5	-	-	-	-	-	-	-	-	-	-	-	-	-	-	-	
MD 40-200/7.5	7.5	10	58	57.5	56.5	55.5	55	54.5	52.5	47.5	45	-	-	-	-	-	-	-	-	-	-	-	-	-	-	
MD 40-250/11	11	15	74.5	-	73	72	71.5	70	66.5	58.5	55	-	-	-	-	-	-	-	-	-	-	-	-	-	-	
MD 40-250/13	13	17.5	85.5	-	84	83.5	82.5	81.5	78	69	65	-	-	-	-	-	-	-	-	-	-	-	-	-	-	
MD 40-250/15	15	20	94.5	-	93	92	91.5	90.5	88	78	74	-	-	-	-	-	-	-	-	-	-	-	-	-	-	
MD 50-125/2.2*	2.2	3	17.5	-	-	-	-	-	16	14.8	14.3	13.5	11.7	8.5	-	-	-	-	-	-	-	-	-	-	-	
MD 50-125/3.0	3	4	21	-	-	-	-	-	19.5	18.6	18.2	17.6	16.1	13	-	-	-	-	-	-	-	-	-	-	-	
MD 50-125/4.0	4	5.5	25.5	-	-	-	-	-	24	23	23	22	21	17.8	16	-	-	-	-	-	-	-	-	-	-	
MD 50-160/5.5	5.5	7.5	33.5	-	-	-	-	-	32.5	31	30.5	30	28	24.5	22.5	-	-	-	-	-	-	-	-	-	-	
MD 50-160/7.5	7.5	10	39	-	-	-	-	-	38	37	36.5	35.5	34	31	29	28	27	-	-	-	-	-	-	-	-	
MD 50-200/9.2	9.2	12.5	50	-	-	-	-	-	48	46	45	44	41	36	33	-	-	-	-	-	-	-	-	-	-	
MD 50-200/11	11	15	56	-	-	-	-	-	54.5	53	52	51	48.5	43.5	40.5	39	37	-	-	-	-	-	-	-	-	
MD 50-250/15	15	20	71	-	-	-	-	-	69	67	66	64	60.5	52.5	47	-	-	-	-	-	-	-	-	-	-	
MD 50-250/18.5	18.5	25	82	-	-	-	-	-	80	78.5	77.5	76	72.5	65	60	57	-	-	-	-	-	-	-	-	-	
MD 50-250/22	22	30	93	-	-	-	-	-	91	89.5	88.5	87	84	77	72.5	70	-	-	-	-	-	-	-	-	-	
MD 65-125/5.5	5.5	7.5	24	-	-	-	-	-	-	23.2	23	22.5	21.5	20.5	20.5	20	18.2	12.5	-	-	-	-	-	-	-	
MD 65-125/7.5	7.5	10	27.5	-	-	-	-	-	-	26.5	26	25.5	24.5	24	23.5	23	21.5	16.3	15	-	-	-	-	-	-	
MD 65-160/11	11	15	34.5	-	-	-	-	-	-	-	-	-	34	33.5	33	32.5	32	30.5	26.5	25.5	23	22	-	-		
MD 65-160/15	15	20	39	-	-	-	-	-	-	-	-	-	-	38	37.5	37	36.5	36.5	35	31	30.5	28.5	27	26		
MD 65-200/18.5	18.5	25	55	-	-	-	-	-	-	-	-	-	-	53.5	52.5	51.5	51	50.5	48.5	42	40.5	37	-	-		
MD 65-200/22	22	30	61	-	-	-	-	-	-	-	-	-	-	59.5	58.5	58	57.5	57	55.5	50	49	46	-	-		

\* Single phase version available

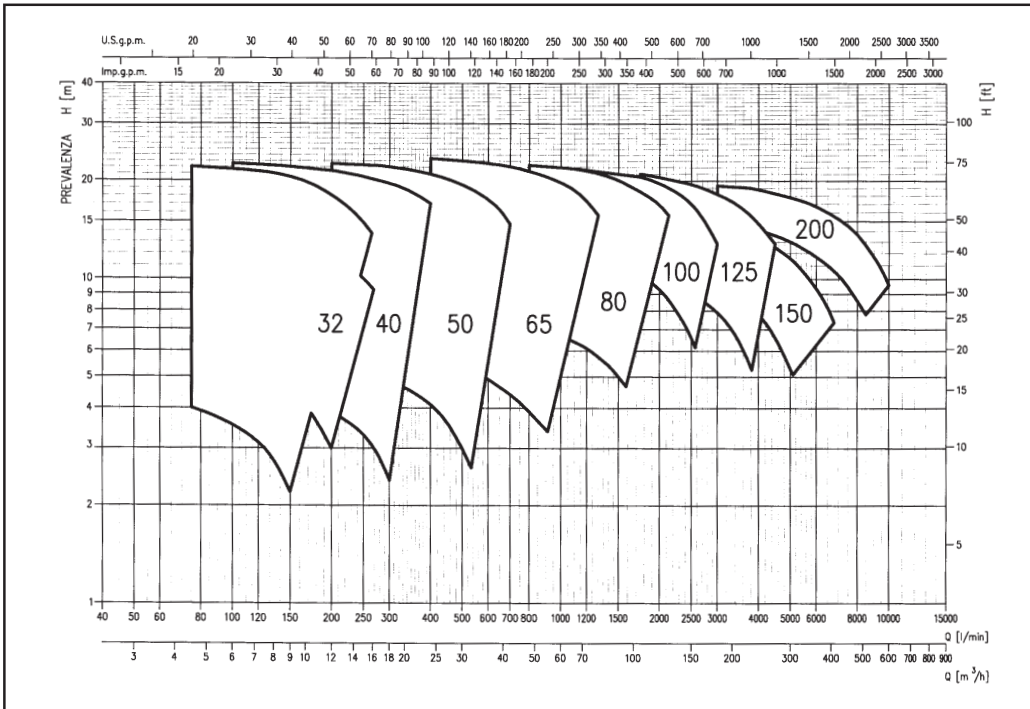
Model	Motor		Q=Capacity																
	kW	HP	l/min	0	800	1000	1250	1500	1750	2000	2250	2500	2750	3000	3500	4000	4500		
			m <sup>3</sup> /h	0	48	60	75	90	105	120	135	150	165	180	210	240	270		
H=Totalhead																			
MMD 65-250/22	22	30	65	64	63	61	57	53	-	-	-	-	-	-	-	-	-		
MMD 65-250/30	30	40	78	77	76	74	70	66	60	53*	-	-	-	-	-	-	-		
MMD 65-250/37	37	55	86.5	86	85	83	79	75	70	64*	-	-	-	-	-	-	-		
MMD 80-160/10	10	13.6	24.8	-	24	23	22	21	19.5	18	16.5	15*	-	-	-	-	-		
MMD 80-160/12.5	12.5	17	29.5	-	28.5	28	27	26	24.5	23	21.5	20	18.5*	-	-	-	-		
MMD 80-160/15	15	20	35	-	34	33.3	32.5	31.8	31	29	27.5	26	24.3	-	-	-	-		
MMD 80-200/18.5	18.5	25	42.2	-	42	41	40	38.5	37	35	33	30.5	28	-	-	-	-		
MMD 80-200/22	22	30	47.2	-	47	46.5	45.5	44.5	43	41	39	37	34	-	-	-	-		
MMD 80-200/30	30	40	55.5	-	55	54	53	52	51	49	47	45	43	37	-	-	-		
MMD 80-200/37	37	55	57.5	-	57	56.8	56.5	56	55	54	52.5	51	48	42	-	-	-		
MMD 80-250/37	37	55	68.5	-	-	67.5	67	66.2	65	63.3	61	58.3	55	47	-	-	-		
MMD 100-200/22	22	30	40	-	-	-	-	38.5	38	37	36	34.5	33	31.5	28	24	-	-	
MMD 100-200/30	30	40	48	-	-	-	-	47	46.3	45.6	44.8	43.7	42.4	41	38	34.6*	30**	-	-
MMD 100-200/37	37	55	54.2	-	-	-	-	53.7	53.3	53	52	51	50	49	46	43*	38**	-	-

\* Suction head has not to exceed 2m

\*\* Positive 1m suction head

## SELECTION CHART - MMD 32-40-50-65-80-100-125-150-200

4 poles



R.P.M. ≈ 1450 min<sup>-1</sup>  
 Test fluid : Clean water 20°C  
 Applicable standard :  
 UNI EN ISO 9906 Appendice A

### PERFORMANCE TABLE (1450 rpm)

Model	Motor		Q=Capacity																																						
	kW	HP	l/min	0	50	75	100	125	150	175	200	225	250	275	300	350	400	450	500	550	600	650	700	800	900	1000	1100	1200	1300	1400	1500	1750	2000	2250							
			m <sup>3</sup> /h	0	3	4.5	6	7.5	9	10.5	12	13.5	15	16.5	18	21	24	27	30	33	36	39	42	48	54	60	66	72	78	84	90	105	120	135							
			H=Total head [m]																																						
MMD4 32-125/0.25 R	0.25	0.33	4.8	4.4	4	3.5	3	2.2	-	-	-	-	-	-	-	-	-	-	-	-	-	-	-	-	-	-	-	-	-	-	-	-	-	-	-	-	-				
MMD4 32-125/0.25	0.25	0.33	6.3	6.2	6.1	5.8	5.3	4.6	3.8	3	-	-	-	-	-	-	-	-	-	-	-	-	-	-	-	-	-	-	-	-	-	-	-	-	-	-	-				
MMD4 32-160/0.37	0.37	0.5	9.6	-	9.2	8.9	8.3	7.7	6.8	5.8	4.7	-	-	-	-	-	-	-	-	-	-	-	-	-	-	-	-	-	-	-	-	-	-	-	-	-	-				
MMD4 32-200/0.75	0.75	1.0	13.5	-	12.8	12.4	11.9	11.3	10.6	9.8	8.9	8	7	6	-	-	-	-	-	-	-	-	-	-	-	-	-	-	-	-	-	-	-	-	-	-	-	-			
MMD4 32-200/0.92	0.92	1.25	15	-	14.6	14.3	13.8	13.3	12.7	11.8	10.9	10	9	8	-	-	-	-	-	-	-	-	-	-	-	-	-	-	-	-	-	-	-	-	-	-	-	-			
MMD4 32-250/1.1	1.1	1.5	19	-	18.5	18	17.5	17	15.9	14.5	12.8	11	-	-	-	-	-	-	-	-	-	-	-	-	-	-	-	-	-	-	-	-	-	-	-	-	-	-			
MMD4 32-250/1.5	1.5	2	22.5	-	22	21.6	21.2	20.5	19.4	18	16.5	15	13*	-	-	-	-	-	-	-	-	-	-	-	-	-	-	-	-	-	-	-	-	-	-	-	-	-			
MMD4 40-125/0.25	0.25	0.33	4.8	-	4.6	4.5	4.3	4.1	3.9	3.6	3.3	2.9	2.4	-	-	-	-	-	-	-	-	-	-	-	-	-	-	-	-	-	-	-	-	-	-	-	-	-			
MMD4 40-125/0.37	0.37	0.5	6.4	-	6.3	6.2	6.1	6	5.8	5.5	5.2	4.9	4.4	3*	-	-	-	-	-	-	-	-	-	-	-	-	-	-	-	-	-	-	-	-	-	-	-	-	-		
MMD4 40-160/0.55	0.55	0.75	9.2	-	8.8	8.6	8.4	8.1	7.7	7.3	6.9	6.4	5.9	4.4	-	-	-	-	-	-	-	-	-	-	-	-	-	-	-	-	-	-	-	-	-	-	-	-	-		
MMD4 40-200/1.1R	1.1	1.5	12.9	-	12.7	12.5	12.1	11.7	11.2	10.7	10.1	9.5	8.5	6.8	-	-	-	-	-	-	-	-	-	-	-	-	-	-	-	-	-	-	-	-	-	-	-	-	-		
MMD4 40-200/1.1	1.1	1.5	14.5	-	14.2	14	13.8	13.4	13	12.5	11.8	11	10.2	8.3	6	-	-	-	-	-	-	-	-	-	-	-	-	-	-	-	-	-	-	-	-	-	-	-	-		
MMD4 40-250/1.5	1.5	2	18.7	-	18.3	18	17.7	17.4	17	16.7	16.2	15.6	15	13.7	12	-	-	-	-	-	-	-	-	-	-	-	-	-	-	-	-	-	-	-	-	-	-	-	-		
MMD4 40-250/2.2	2.2	3	23.2	-	22.5	22.3	22	21.7	21.4	21.2	20.5	20.2	19.5	18.5	17	-	-	-	-	-	-	-	-	-	-	-	-	-	-	-	-	-	-	-	-	-	-	-	-		
MMD4 50-125/0.37	0.37	0.5	5.4	-	5.3	5.3	5.2	5.1	5	4.9	4.8	4.5	4.1	3.6	3	-	-	-	-	-	-	-	-	-	-	-	-	-	-	-	-	-	-	-	-	-	-	-	-		
MMD4 50-125/0.55	0.55	0.75	6.5	-	6.4	6.3	6.3	6.2	6.1	6	5.9	5.5	5.2	4.9	4.4	-	-	-	-	-	-	-	-	-	-	-	-	-	-	-	-	-	-	-	-	-	-	-	-		
MMD4 50-160/0.75	0.75	1.0	8.3	-	8.1	8	7.9	7.8	7.7	7.4	7	6.6	6	5.1	4	-	-	-	-	-	-	-	-	-	-	-	-	-	-	-	-	-	-	-	-	-	-	-	-		
MMD4 50-160/0.92	0.92	1.25	9.1	-	9	8.9	8.9	8.8	8.7	8.4	8.1	7.7	7.2	6.4	5.5	-	-	-	-	-	-	-	-	-	-	-	-	-	-	-	-	-	-	-	-	-	-	-	-		
MMD4 50-200/1.1	1.1	1.5	12.6	-	12.3	12.2	12	11.8	11.5	10.8	10	9	8	7	5.8	-	-	-	-	-	-	-	-	-	-	-	-	-	-	-	-	-	-	-	-	-	-	-	-	-	
MMD4 50-200/1.5	1.5	2	14.3	-	14.1	14	13.9	13.7	13.5	12.8	12	11.3	10.2	9	7.8	6.4	-	-	-	-	-	-	-	-	-	-	-	-	-	-	-	-	-	-	-	-	-	-	-	-	
MMD4 50-250/2.2	2.2	3	19.5	-	18.5	18.3	18.1	17.8	17.5	17	16.2	15.5	14.5	13.5	12.5	11.3	10	-	-	-	-	-	-	-	-	-	-	-	-	-	-	-	-	-	-	-	-	-	-	-	
MMD4 50-250/3	3	4	23	-	22.5	22.4	22.3	22.2	22	21.5	20.9	20.2	19.4	18.5	17.5	16.3	14.7	-	-	-	-	-	-	-	-	-	-	-	-	-	-	-	-	-	-	-	-	-	-	-	
MMD4 65-125/0.75	0.75	1.0	6	-	5.8	5.7	5.6	5.5	5.3	5.1	4.9	4.6	4.4	3.9	-	-	-	-	-	-	-	-	-	-	-	-	-	-	-	-	-	-	-	-	-	-	-	-	-		
MMD4 65-160/1.1	1.1	1.5	8.6	-	8.5	8.5	8.4	8.3	8.2	8.1	8	7.8	7.4	6.8	5.8	5	-	-	-	-	-	-	-	-	-	-	-	-	-	-	-	-	-	-	-	-	-	-	-	-	
MMD4 65-160/1.5	1.5	2	10.3	-	10.2	10.1	10	9.9	9.8	9.6	9.4	9.2	8	7.5	6.5	-	-	-	-	-	-	-	-	-	-	-	-	-	-	-	-	-	-	-	-	-	-	-	-	-	
MMD4 65-200/2.2	2.2	3	12.6	-	12.5	12.4	12.3	12.2	12.1	12	11.7	11.1	10.5	9.6	8.5	-	-	-	-	-	-	-	-	-	-	-	-	-	-	-	-	-	-	-	-	-	-	-	-	-	
MMD4 65-200/3	3	4	15.4	-	15.3	15.3	15.2	15.1	15	14.8	14.6	14.3	13.6	12.8	12	11	-	-	-	-	-	-	-	-	-	-	-	-	-	-	-	-	-	-	-	-	-	-	-	-	
MMD4 65-250/4	4	5.5	20	-	19.5	19.3	19.1	18.9	18.7	18.5	17.5	16.5	15.5	14	12.5	10.4	-	-	-	-	-	-	-	-	-	-	-	-	-	-	-	-	-	-	-	-	-	-	-	-	-
MMD4 65-250/5.5	5.5	7.5	23.3	-	23	22.8	22.6	22.4	22.2	21.4	20.6	19.7	18.7	17.3	15.7	14	-	-	-	-	-	-	-	-	-	-	-	-	-	-	-	-	-	-	-	-	-	-	-	-	-
MMD4 80-160/1.5	1.5	2	8	-	7.7	7.6	7.5	7.3	7	6.7	6.4	6.1	5.7	5.4	5	-	-	-	-	-	-	-	-	-	-	-	-	-	-	-	-	-	-	-	-	-	-	-	-	-	
MMD4 80-160/2.2	2.2	3	10	-	9.7	9.6	9.5	9.3	9	8.8	8.5	8.2	7.9	7.5	7.1	6	-	-	-	-	-	-	-	-	-	-	-	-	-	-	-	-	-	-	-	-	-	-	-	-	
MMD4 80-200/3	3	4	12.8	-	12	11.9	11.7	11.5	11.3	11	10.5	10	9.5	9	8.5	7	-	-	-	-	-	-	-	-	-	-	-	-	-	-	-	-	-	-	-	-	-	-	-	-	-
MMD4 80-200/4	4	5.5	14.9	-	14.4	14.3	14.2	14	13.8	13.5	13.1	12.6	12.2	11.6	11	9	6.5	-	-	-	-	-	-	-	-	-	-	-	-	-	-	-	-	-	-	-	-	-	-	-	-
MMD4 80-250/5.5	5.5	7.5	20	-	19.2	18.9	18.5	18	17.6	17.1	16.5	16	14	12	-	-	-	-	-	-	-	-	-	-	-	-	-	-	-	-	-	-	-	-	-	-	-	-	-	-	-
MMD4 80-250/7.5	7.5	10	23.5	-	22.3	22.1	21.9	21.7	21.3	21	20.5	20	18.5	16.9	14.5	-	-	-	-	-	-	-	-	-	-	-	-	-	-	-	-	-	-	-	-	-	-	-	-	-	-

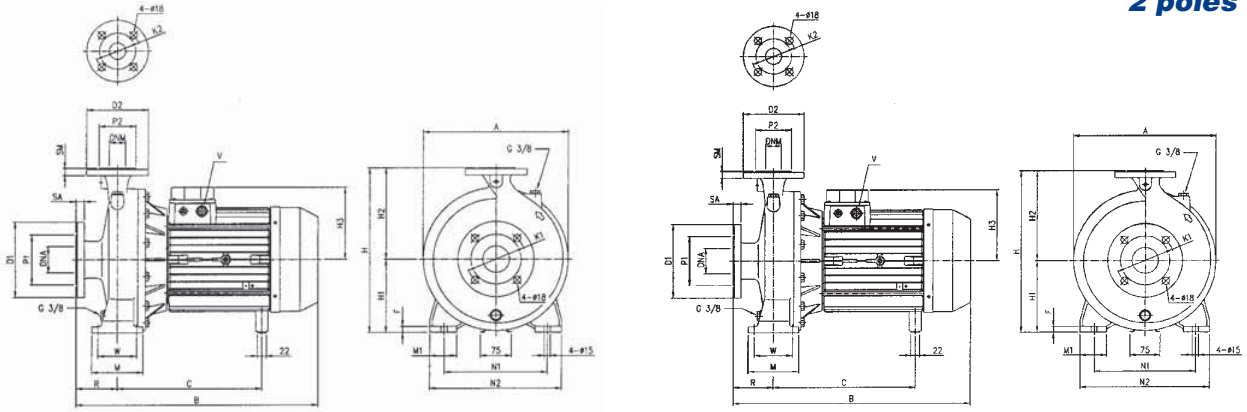
Model	Motor		Q=Capacity																																							
	kW	HP	l/min	0	900	1000	1100	1200	1300	1400	1500	1750	2000	2250	2500	2750	3000	3500	3700	4000	4500	5000	5500	6500	7000	8000	8500	9000	9500	10000												
			m <sup>3</sup> /h	0	54	60	66	72	78	84	90	105	120	135	150	165	180	210	222	240	270	300	330	390	420	480	510	540	570	600												
			H=Total head [m]																																							
MMD4 100-200/4	4	5.5	13	12.3	12.2	12	11.8	11.6	11.4	11.2	10.3	9.3	8	6.6	4.8*	-	-	-	-	-	-	-	-	-	-	-	-	-	-	-	-	-	-	-	-	-	-	-	-	-		
MMD4 100-200/5.5	5.5	7.5	14.7	14.5	14.4	14.2	14	13.8	13.6	13.4	12.8	12	11	9.8	8.5	-	-	-	-	-	-	-	-	-	-	-	-	-	-	-	-	-	-	-	-	-	-	-	-	-	-	
MMD4 100-250/7.5	7.5	10	20	-	19.5	19.3	19.1	18.9	18.7	18.5	17.5	16.5	15.2	14	12	-	-	-	-	-	-	-	-	-	-	-	-	-	-	-	-	-	-	-	-	-	-	-	-	-	-	
MMD4 100-250/9.2	9.2	12.5	22.4	-	22	21.9	21.8	21.7	21.6	21.5	20.5	19.5	18.5	17	15	12.8*	-	-	-	-	-	-	-	-	-	-	-	-	-	-	-	-	-	-	-	-	-	-	-	-	-	-
MMD4 125-200/5.5	5.5	5.5	11.2	-	10.5	10.3	9.9	9.5	9.1	8.5	7.9	6.4	5.7																													

# Monobloc Centrifugal Pumps

MD / MMD

## DIMENSION (MD)

2 poles

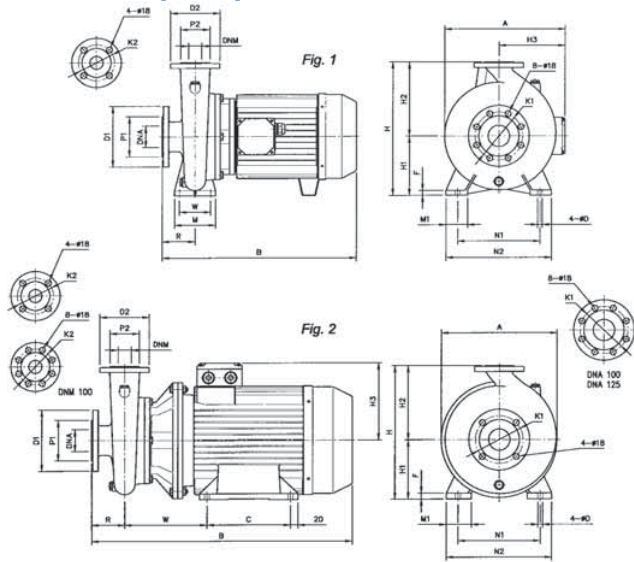


Model	DNA	P1	K1	D1	SA	DNM	P2	K2	D2	SM	Dimension (mm) H3				R	W	N1	M	N2	M1	F	A	B	C	V [1]	Weight [Kg]																	
											H	H1	H2	[1]													[2]																
MD 32-125/1.1	50	102	125	165	32	78	100	140	18	252	112	140	122	139	80	70	140	100	190	50	13	205	431	230	PG 13.5	27.6																	
MD 32-125/1.5											122	27.3																															
MD 32-160/1.5											132	160	122	139												245	31.5																
MD 32-160/2.2											160	180	134	290												35.4																	
MD 32-200/3											180	225	153	352												44.1																	
MD 32-200/4											225	181	181	499												50.5																	
MD 32-250/5.5											180	181	181	496												70.5																	
MD 32-250/7.5											180	181	181	540												74.6																	
MD 32-250/9.2											180	181	181	588												84.3																	
MD 32-250/11											180	181	181	588												87.3																	
MD 40-125/1.5											20	40	88	110												150	252	112	140	122	139	80	70	160	100	210	50	13	235	431	230	PG 13.5	28.9
MD 40-125/2.2																												122	31.9														
MD 40-160/3	132	39																																									
MD 40-160/4	160	134	245	45.7																																							
MD 40-200/5.5	180	153	290	60.1																																							
MD 40-200/7.5	212	265	290	68.5																																							
MD 40-250/11	180	181	290	90.7																																							
MD 40-250/13	180	181	290	93																																							
MD 50-125/2.2	20	50	102	125	165	292	132	160	122	139					100	70	190	100	240	50	13	230	431	230	PG 13.5			34															
MD 50-125/3							134	36																																			
MD 50-125/4							160	42.3																																			
MD 50-160/5.5							180	153	260	57.2																																	
MD 50-160/7.5							200	181	260	68.7																																	
MD 50-200/9.2							180	181	260	74																																	
MD 50-200/11							180	181	260	80.9																																	
MD 50-250/13							180	181	260	86.4																																	
MD 50-250/15							180	181	260	91.9																																	
MD 50-250/18.5							180	181	260	91.9																																	
MD 50-250/22							180	181	260	91.9																																	
MD 65-125/5.5							80	138	160	200	22	65	122	145												185	340	180	153	260	57.2												
MD 65-125/7.5	200	181	260	68.7																																							
MD 65-160/11	180	181	260	80.9																																							
MD 65-160/15	180	181	260	86.4																																							
MD 65-160/15	180	181	260	86.4																																							
MD 65-160/15	180	181	260	86.4																																							

[1] = Three-phase [2] = Single-phase

Model	DNA	P1	K1	D1	SA	DNM	P2	K2	D2	SM	Dimension (mm)				R	W	N1	M	N2	M1	F	A	B	C	V [1]	Weight [Kg]
											H	H1	H2	H3												
MD 40-250/15	65	122	145	185	20	50	102	125	165	20	405	180	225	230	100	95	250	125	320	65	15	352	734	501	PG 21	96.8
MD 50-250/15	65										97.6															
MD 50-250/18.5	65										126															
MD 50-250/22	65										148															
MD 65-200/18.5	80										126															
MD 65-200/22	80										135															

## DIMENSION (MMD)



Model	Fig.	Dimension (mm)														Weight [Kg]										
		DNA	P1	K1	D1	DNM	P2	K2	D2	H	H1	H2	H3	R	W		N1	M	N2	M1	F	A	B	C	D	
MMD 65-250/22	2	80	138	160	200	65	122	145	185	450	180	230	293	280	100	257	325	318	380	60	24	400	905	305	18	144
MMD 65-250/30											200	257	325	318												380
MMD 65-250/37	1	100	158	180	220	80	138	160	200	430	225	184	230	280	100	257	325	318	380	60	24	400	905	305	18	190
MMD 80-160/10											405	180	230	280												380
MMD 80-160/12.5	1	100	158	180	220	80	138	160	200	430	225	184	230	280	100	257	325	318	380	60	24	400	905	305	18	81.5
MMD 80-160/15											180	230	280	320												380
MMD 80-200/18.5	1	100	158	180	220	80	138	160	200	430	225	184	230	280	100	257	325	318	380	60	24	400	905	305	18	132
MMD 80-200/22											180	230	280	320												380
MMD 80-200/30	2	125	188	210	250	100	158	180	220	480	180	230	293	280	100	257	325	318	380	60	24	400	905	305	18	192
MMD 80-200/37											200	257	325	318												380
MMD 80-250/37	2	125	188	210	250	100	158	180	220	480	180	230	293	280	100	257	325	318	380	60	24	400	905	305	18	196
MMD 100-200/22											200	257	325	318												380
MMD 100-200/30	2	125	188	210	250	100	158	180	220	480	180	230	293	280	100	257	325	318	380	60	24	400	905	305	18	202
MMD 100-200/37											200	257	325	318												380

\*All specifications are subject to change without prior notice.



**EBARA Pumps Malaysia Sdn Bhd**  
 6, Jalan TP3, UEP Subang Jaya Industrial Park,  
 47620 Subang Jaya, Selangor, Malaysia.  
 Tel : 03-8023 8355 Fax : 03-8023 9355  
 Email : sales@ebara.com.my  
 Website : www.ebara.com.my



Authorised dealer: