



## Automatic Variable Speed Booster Pump

Type JET-E

### INVERTER Booster Pump System with LCD Display PID Controller

#### APPLICATIONS

- Domestic water supply for villas, houses, schools, hotels, pent-houses, rest houses and buildings.
- Industrial water boosting.

#### FEATURES / BENEFITS

- **Constant pressure**
  - PID Controller with inverter able to adjust water pressure perfectly by variable speed control.
- **Energy saving**
  - Using of the inverter able to save energy.
- **No water hammering**
  - Preventing water hammer as speed is adjusted automatically to meet variable demand.
- **Fully tested & assembled unit**
  - Ensure trouble-free operation.
- **Stainless steel pump set used**
  - Hygienic and clean water assured.
- **EBARA TOTAL warranty on all components used**
  - More value for money.
- **Nationwide dealers representation**
  - After-sales service assurance.

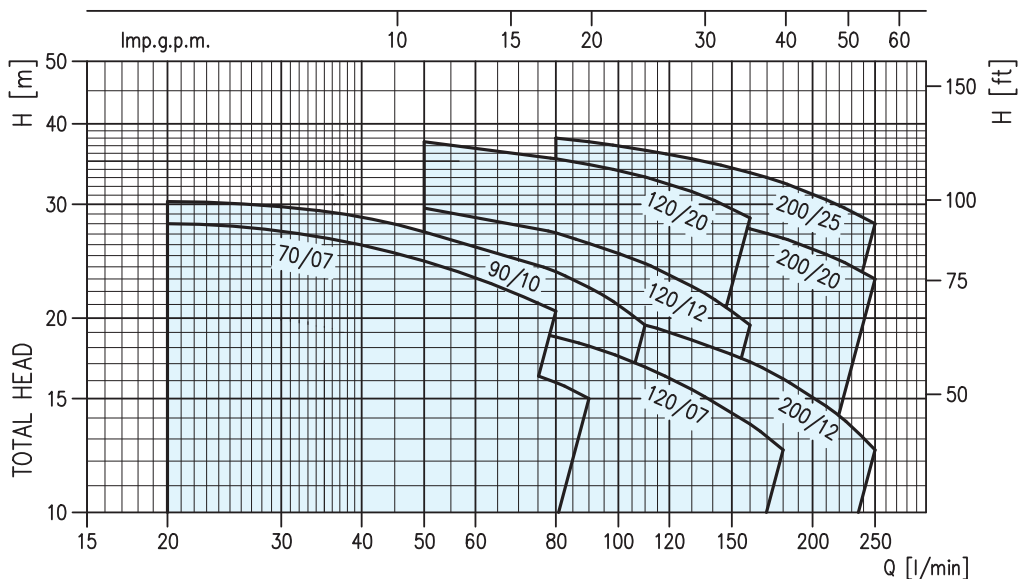
#### SPECIFICATIONS

- Supply Voltage : 1 x 230 Vac  $\pm$  10% (50Hz)
- Max liquid temperature : 90°C
- Installation : Indoor / Outdoor

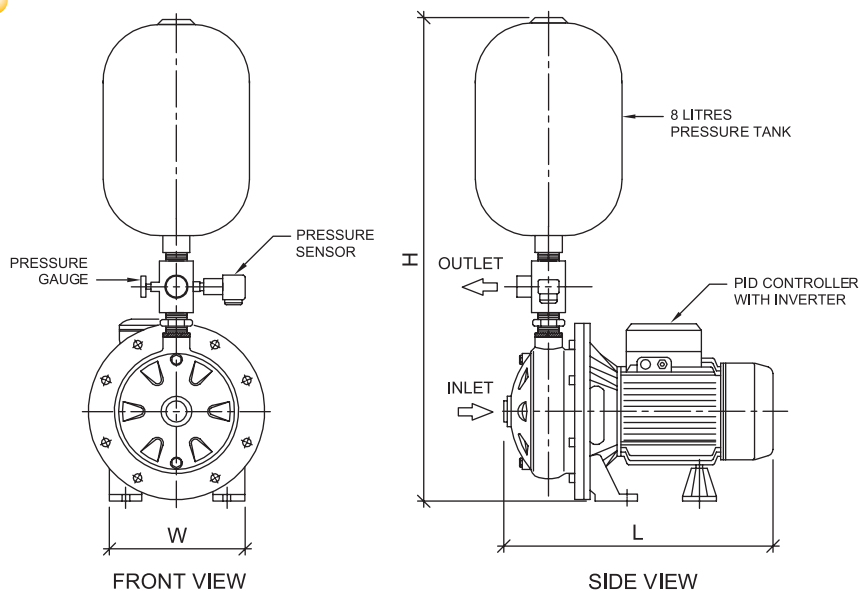


VFD-4500 Series Controller

## PERFORMANCE CHART



## DIMENSION



Model	Power (kw)	Dimension (mm)			Weight (kg)
		L	W	H	
70 / 07	0.55	318	160	605	16
90 / 10	0.75	318	160	605	17
120 / 07	0.55	318	160	605	16
120 / 12	0.9	318	160	605	18
120 / 20	1.5	345	180	625	21
200 / 12	0.9	318	160	605	17
200 / 20	1.5	345	180	605	19
200 / 25	1.8	345	180	625	22

\* Dimensional details are provided for reference only.  
 \* All specifications are subject to change without prior notice.



**EBARA Pumps Malaysia Sdn Bhd**  
 6, Jalan TP3, UEP Subang Jaya Industrial Park,  
 47620 Subang Jaya, Selangor, Malaysia.  
 Tel : 03-8023 6622 Fax : 03-8023 9355  
 Email : sales@ebaracom.my  
 Website : www.ebaracom.my



Authorised dealer: